



## Features

- Carbon element
- Assortment of resistance tapers
- Push latching shaft
- Flatted, knurled and slotted shaft styles
- Center detent option



# PTP90 Series Panel Control w/Push Latching Shaft

### Electrical Characteristics

Standard Resistance Range .....1K ohms to 1 megohm  
 Standard Resistance Tolerance  
 R < 250K ohms .....±20 %  
 R ≥ 250K ohms .....±30 %  
 End Resistance  
 R < 50K ohms ..... 30 ohms max.  
 R ≥ 50K ohms ..... 0.1 % of TR max.  
 Insulation Resistance @ 250 VDC  
 ..... 100 megohms min.  
 Dielectric Withstanding Voltage  
 .....300 VAC  
 Tracking Error (-40 dB to 0 dB) .....±3 dB  
 Standard Taper ..... Linear, Audio  
 Power Rating  
 Linear ..... 0.05 watt  
 Audio ..... 0.025 watt  
 Slider Noise ..... 100 mV max.  
 Operating Voltage..... 50 VAC / 10 VDC

### Environmental Characteristics

Operational Life ..... 15,000 cycles  
 TR Shift .....±15 %  
 Operating Temperature Range  
 .....-10 °C to +55 °C  
 Resistance to Solder Heat.....±5 %  
 IP Rating.....IP 40

### Mechanical Characteristics

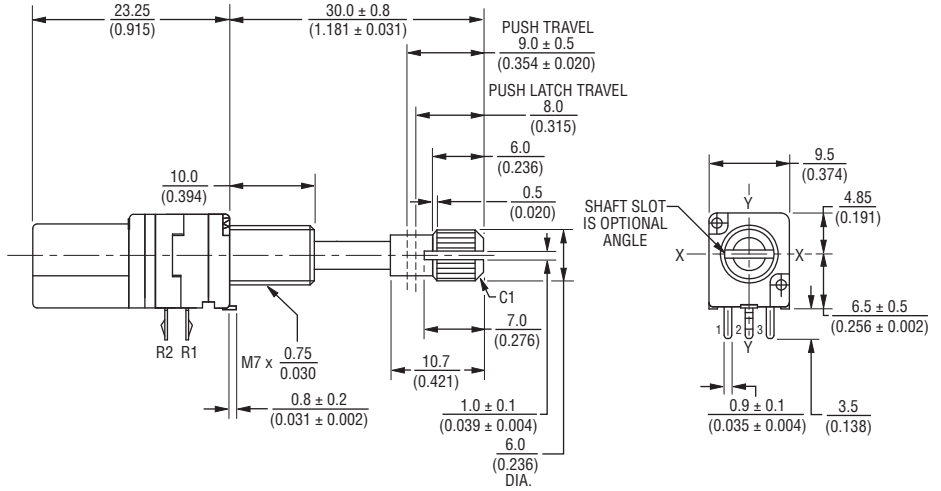
Mechanical Angle .....310 ° max.  
 Operating Torque.....20~250 gf-cm  
 Stop Strength..... 4 kgf-cm max.  
 Mounting Torque..... 10 kgf-cm max.  
 Shaft Push Latch Force.....40~500 gf  
 Push Latch Operating Life  
 ..... 10,000 cycles  
 Soldering Condition  
 Manual ..... 300 °C ±5 °C for 3 sec.  
 Wave ..... 260 °C ±5 °C for 5 sec.  
 Wash ..... Not recommended  
 Hardware ..... One flat washer and  
 one mounting nut supplied with  
 each potentiometer

### Standard Resistance Table

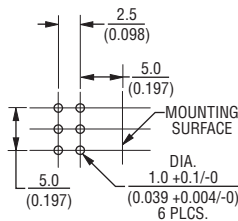
Resistance (Ohms)	Resistance Code
1,000	102
2,000	202
5,000	502
10,000	103
20,000	203
50,000	503
100,000	104
200,000	204
500,000	504
1,000,000	105

### Product Dimensions

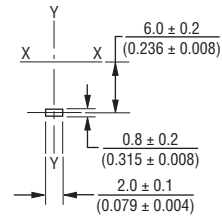
(Shown with Knurled Shaft)



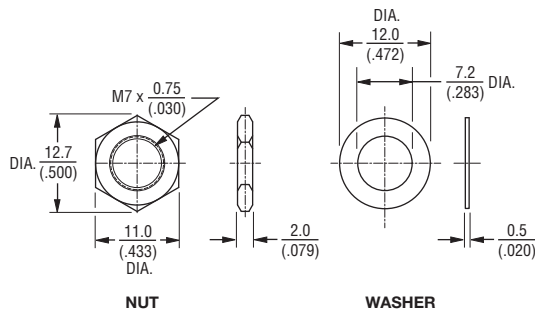
### Mounting Hole Detail



### Locating Lug Detail



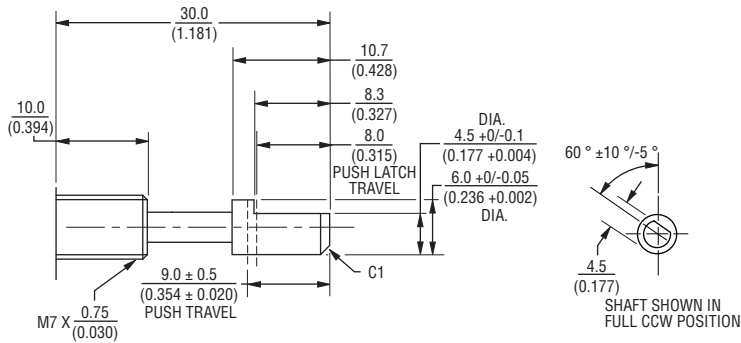
### Hardware



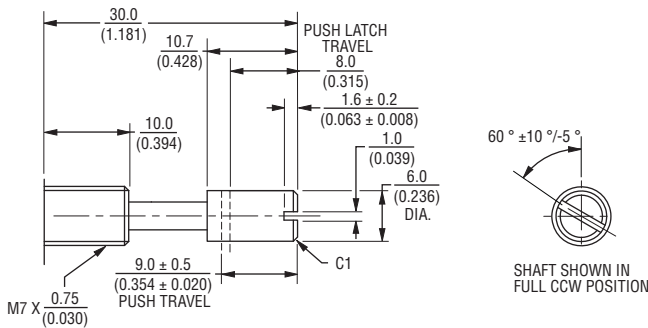
DIMENSIONS:  $\frac{\text{MM}}{\text{(INCHES)}}$

## Additional Shaft Styles

### Flatted Shaft



### Slotted Shaft



DIMENSIONS:  $\frac{\text{MM}}{\text{(INCHES)}}$

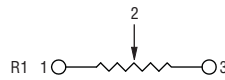
## How To Order

**PTP90 2 - 0 30 K - 103 B2**

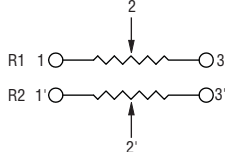
- Model Number
- Designator
  - PTP90 = Panel Control w/Push Latching Shaft
- Number of Sections
  - 1 = Single Gang
  - 2 = Dual Gang
- Center Detent
  - 0 = No Detent
  - 1 = Center Detent
- Shaft Length (FMS)
  - 30 = 30 mm
- Shaft Style
  - F = Flatted Metal
  - K = Knurled (18 tooth serrated)
  - S = Slotted Metal
- Resistance Code
  - (See Standard Resistance Table)
- Resistance Taper (See Taper Charts)
  - Taper Series followed by Curve Number

## Schematics

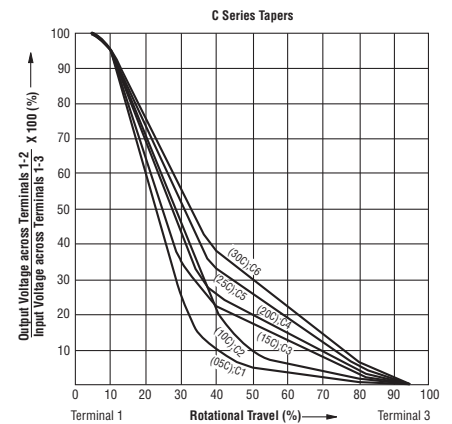
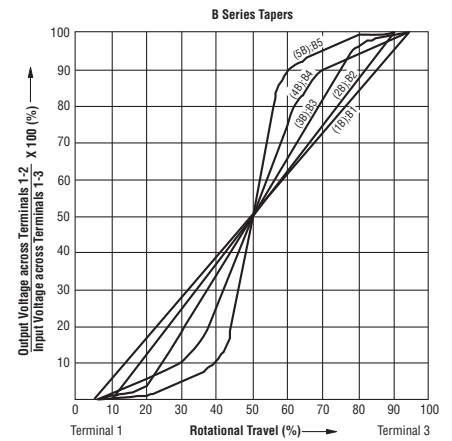
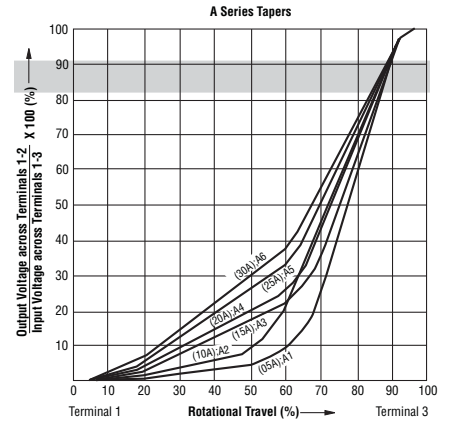
### Single Gang



### Dual Gang



## Tapers



REV. 02/15

Specifications are subject to change without notice. Users should verify actual device performance in their specific applications.

For more information about this product, visit our website at: [www.potentiometers.com](http://www.potentiometers.com)