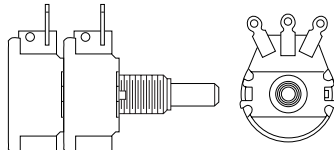


Single Turn Rotary Wirewound Attenuators



1.328" Diameter
"D" Series Base Model

L-Pad

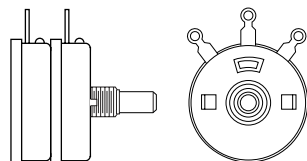
3 Watts DC

10 Watts Continuous Audio **pg. 2**

T-Pad

3 Watts DC

10 Watts Continuous Audio **pg. 6**



1.625" Diameter
"E" Series Base Model

L-Pad

4 to 12.5 watts DC

15 to 50 Watts Continuous Audio **pg. 2**

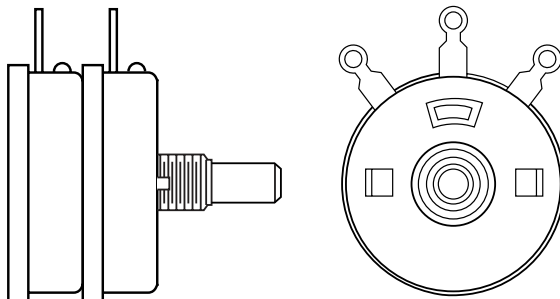
T-Pad

4 to 12.5 watts DC

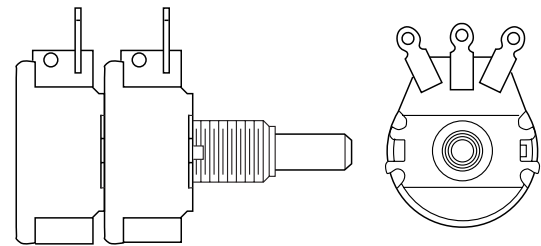
15 to 50 Watts Continuous Audio **pg. 6**

For more information about these products,
visit our website at <http://www.potentiometers.com>

D Series & E Series L-Pad Wirewound Attenuators Single Turn Rotary



E Series
1.625" Diameter



D Series
1.328" Diameter

- 3 to 12.5 Watts DC
- 4 to 50 Watts Audio
- 3/8" Dia. Bushing with .250" Diameter Shaft
- Push-pull or Momentary Switch Options
- Solder Lug Terminals

For more information about the
QD & QDD Series
Wirewound Potentiometers,
visit our website at:
<http://www.potentiometers.com>

Electrical and Mechanical Specifications

Power Rating

(Control mounted on steel panel 4"x4"x.060")

D Series:

- 3 Watts DC
- 10 Watts Continuous Audio

E Series:

- 4 to 12.5 watts DC
- 5 to 50 Watts continuous audio

Resistance Range

- D Series: 4, 8, 15, 50, 600, 2000 ohms
- E Series: 8, 16 ohms

Resistance Tolerance

±15%

Voltage Ratings

Mounting plate to terminals,
high pot, test for 1 minute@ 900 V AC

Insulation Resistance

1000 megohms minimum
(50% relative humidity at 25°C)

Operating Temperature

-55°C to + 105°C

Insertion Loss

Less than 1/2 db

Mechanical Rotation

294° ± 5°

Operating Life

10,000 cycles, standard

Locating Lug

Right, left, or both available.
Not supplied unless specified

Shaft Styles

Slotted, Flatted, Knurled

Bushing

Thread: 3/8 - 32 MEF-2A
Length as required

Mounting Hardware

Unless specified, control will be supplied
without hardware

Terminals Available

Solder Lug Only

Contact Arm

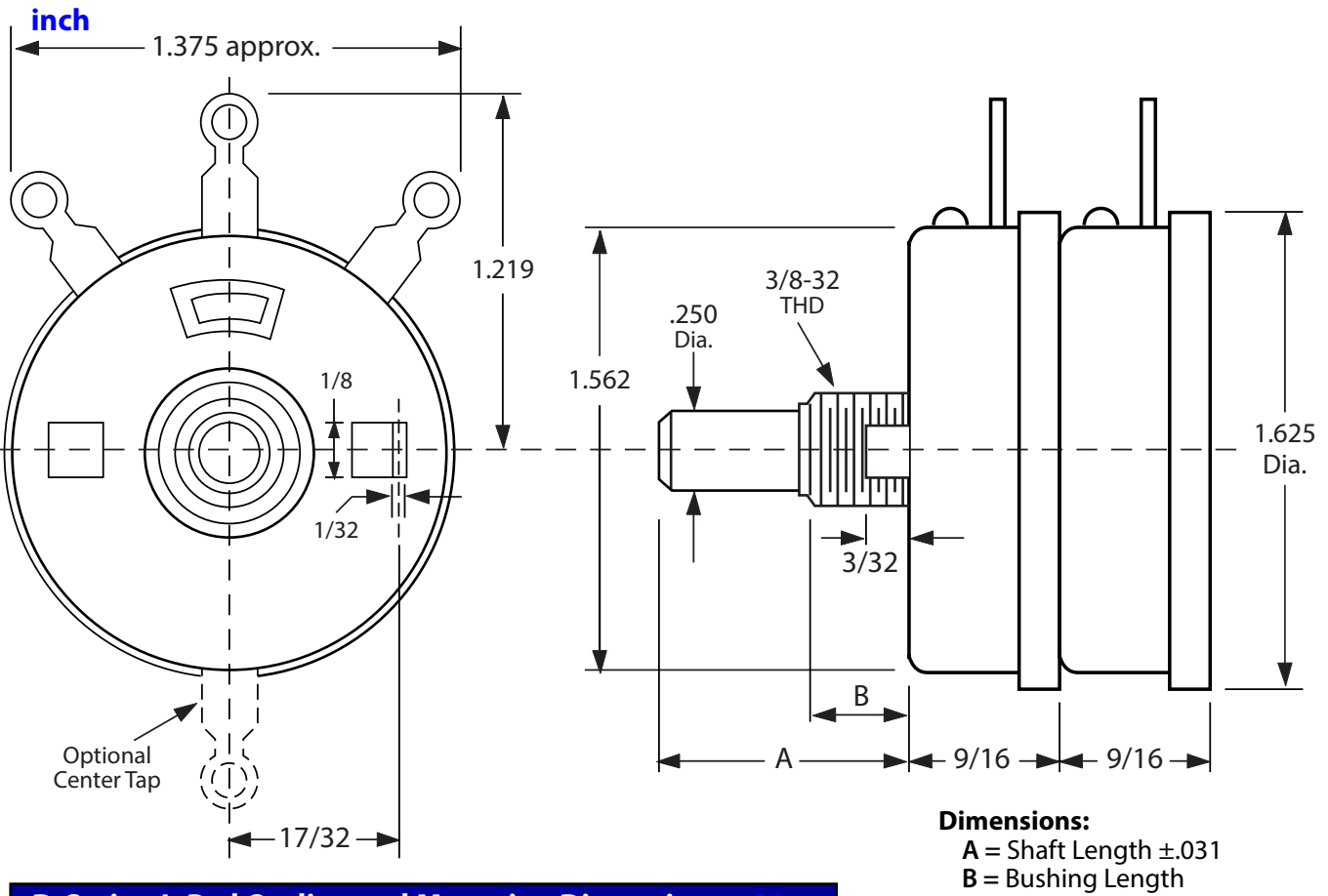
Insulated from case

Optional Features

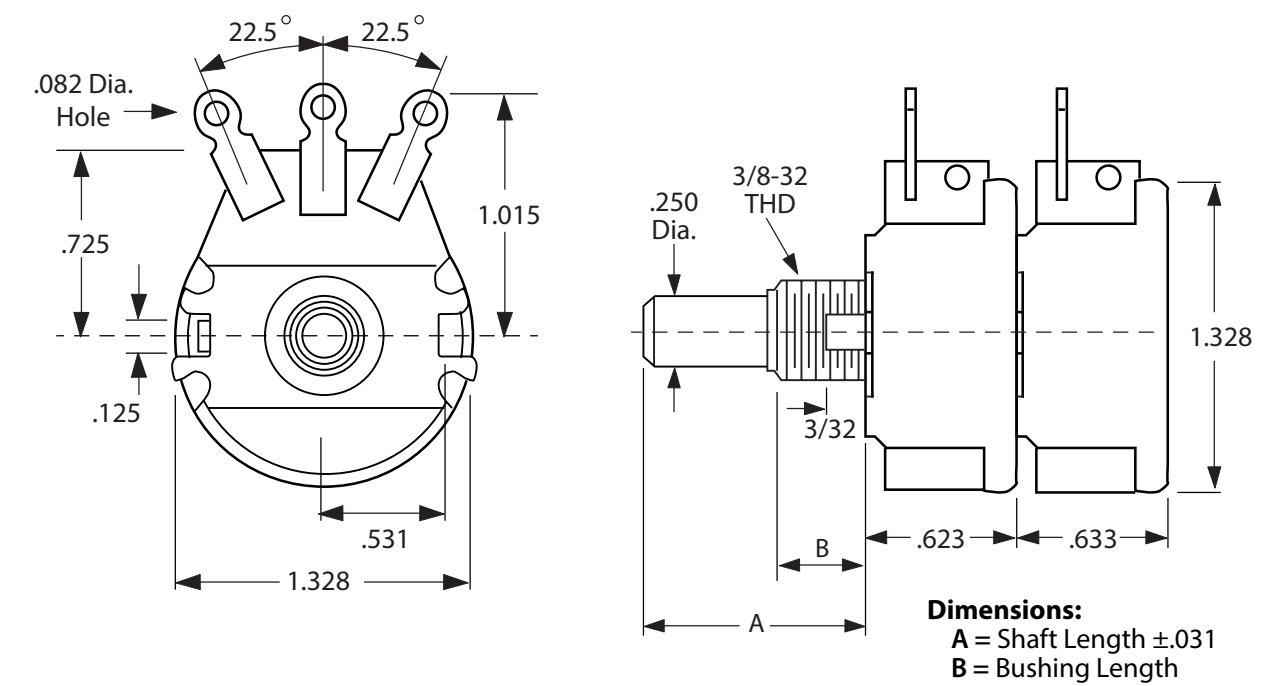
- Shaft and Panel Seal
- Nickel Plated body / Solid Front

L-Pad Wirewound Attenuators

E-Series L-Pad Outline and Mounting Dimensions (mm/

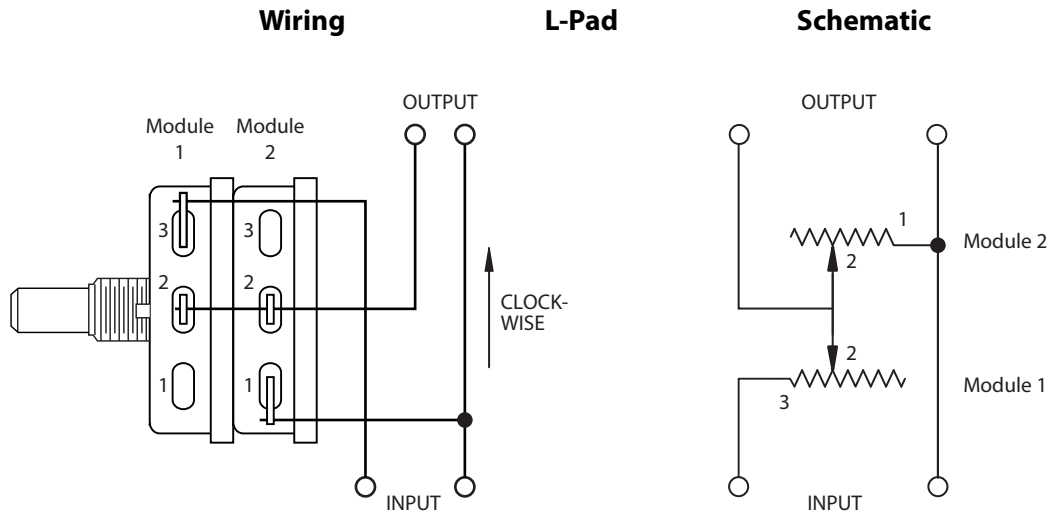


D-Series L-Pad Outline and Mounting Dimensions (inch)



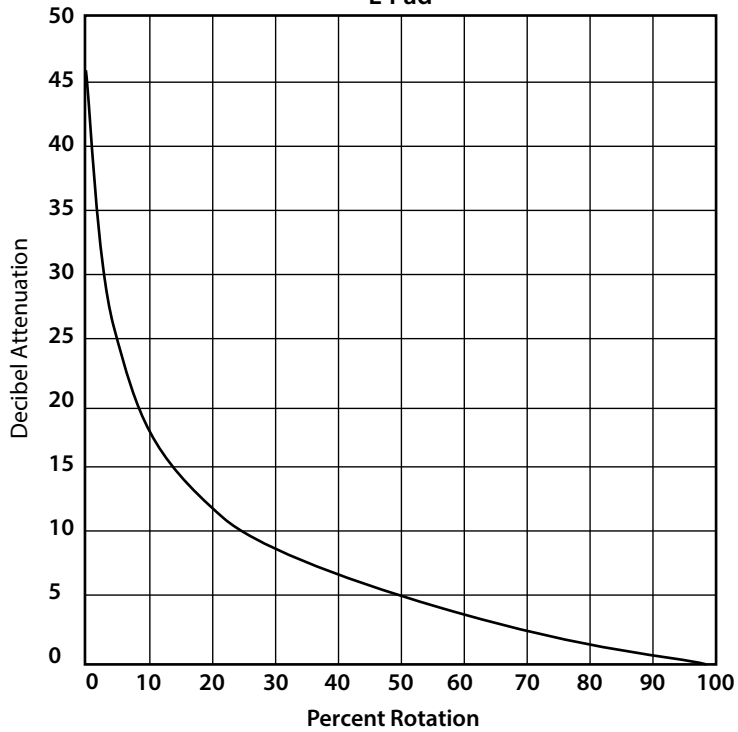
L-Pad Wirewound Attenuators

L-Pad Wiring Diagram and Schematic



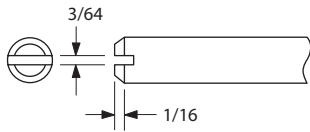
L-Pad Attenuation

Typical Attenuation Curve
L-Pad

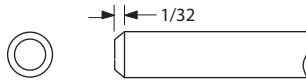


L-Pad Wirewound Attenuators

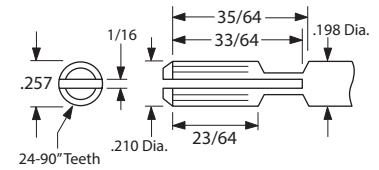
Shaft Styles



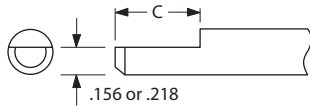
Style 1
Screwdriver Slot - .250 Diameter



Style 2
Plain Round - .250 Diameter



Style 3
E.I.A. Knurl - .250 Diameter



Style 4
Flatted - .250 Diameter

Ordering Information

Example Part Number: **DL-1-040-160-R-PP1**

DL	1	040	160	R	PP1
L-Pad Series *: DL = 3 Watts / 10 Watts QDL = 3 Watts / 10 Watts EL = 4 Watts / 15 Watts EGL = 12.5 Watts / 50 Watts QEL = 4 Watts / 15 Watts QEGL = 12.5 Watts / 50 Watts	Shaft Type: 1 = Slotted 2 = Plain Round 3 = Knurled 4 = Flatted Shaft Diameter is .250 inches	Shaft Length: 032 = 1/2" 040 = 5/8" 056 = 7/8" 100 = 1" 200 = 2"	Resistance Code Examples: 4A0 = 4 ohms 8A0 = 8 ohms 160 = 16 ohms 500 = 50 ohms 601 = 600 ohms 202 = 2K ohms	Locating Lug: R = Right L = Left N = None	

*Power: DC / Continuous Audio
"Q" Prefix = Nickel Plated Body

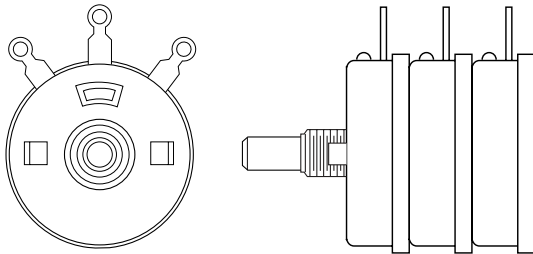
Switch Option	Switch Action	Switch Type	Switch Rating
Blank	No Switch		
PP1	Push-Pull	SPST	1A 125VAC 0.5A 125VDC
PP2	Push-Pull	SPST	3A 125VAC 0.5A 125VDC
PP3	Push-Pull	SPST	5A 125VAC 1A 125VDC
PP4	Push-Pull	SPST	6A 125VAC 1A 125VDC
MT1	Momentary	SPST	2A 125VAC

Part numbers shown above are for specifying purposes only.
A unique part number will be assigned once the design has been finalized and approved by customer.

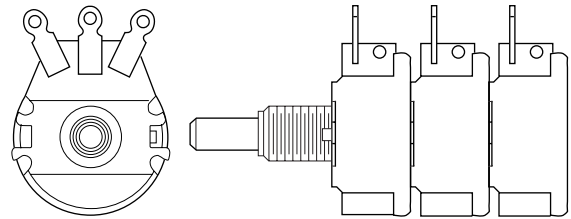
For more information about this product,
visit our website at:

<http://www.potentiometers.com>

D Series & E Series T-Pad Wirewound Attenuators Single Turn Rotary



E Series
1.625" Diameter



D Series
1.328" Diameter

- 4 Watts DC / 15 Watts Continuous Audio
- 12.5 Watts DC / 50 Watts Continuous Audio
- 3/8" Dia. Bushing with .250" Diameter Shaft
- Push-pull or Momentary Switch Options
- Solder Lug Terminals

For more information about the
T-Pad Wirewound Attenuators,
visit our website at:
<http://www.potentiometers.com>

Electrical and Mechanical Specifications

Power Rating

(Control mounted on steel panel 4"x4"x.060")

D Series:

- 3 Watts DC
- 10 Watts Continuous Audio

E Series:

- 12.5 watts DC
- 50 Watts continuous audio

Resistance Range

8, 60, or 600 ohms

Resistance Tolerance

±15%

Voltage Ratings

Mounting plate to terminals,
high pot, test for 1 minute @ 900 V AC

Insulation Resistance

1000 megohms minimum
(50% relative humidity at 25°C)

Insertion Loss

Less than 1/2 db

Operating Temperature

-55°C to + 105°C

Mechanical Rotation

294° ± 5°

Operating Life

10,000 cycles, standard

Locating Lug

Right, left, or both available.
Not supplied unless specified

Shaft Styles

Slotted, Flatted, Knurled

Bushing

Thread: 3/8 - 32 MEF-2A
Length as required

Mounting Hardware

Unless specified, control will be supplied
without hardware

Terminals Available

Solder Lug Only

Contact Arm

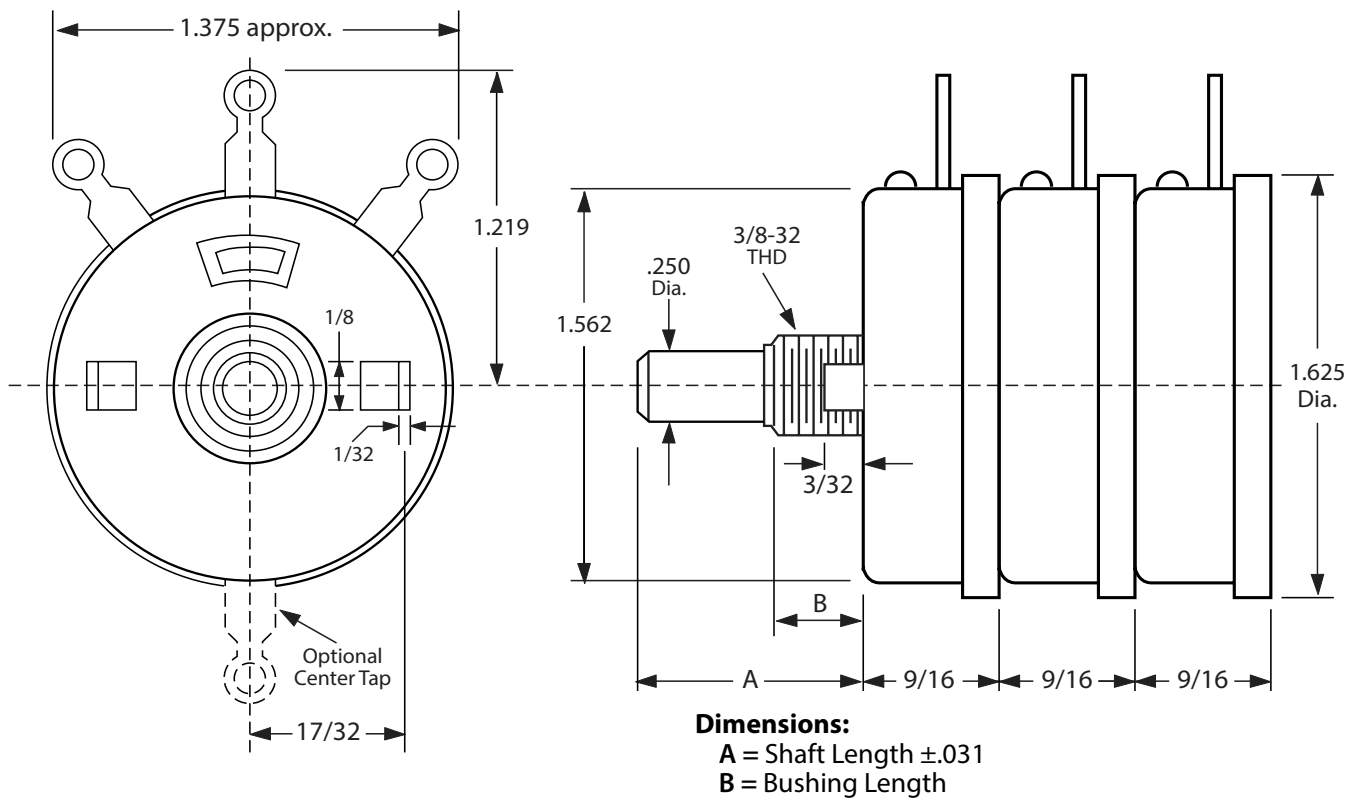
Insulated from case

Optional Features

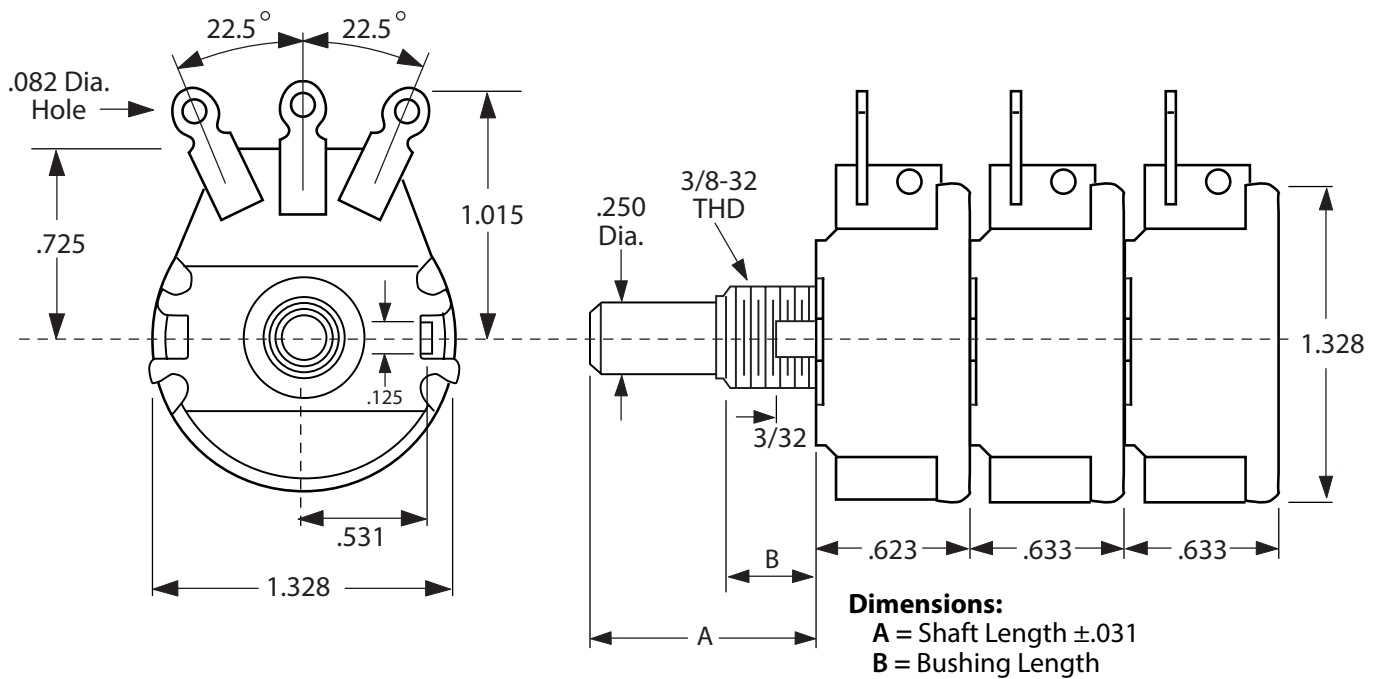
- Shaft and Panel Seal
- Nickel Plated body / Solid Front

T-Pad Wirewound Attenuators

E-Series Outline and Mounting Dimensions (mm/inch)

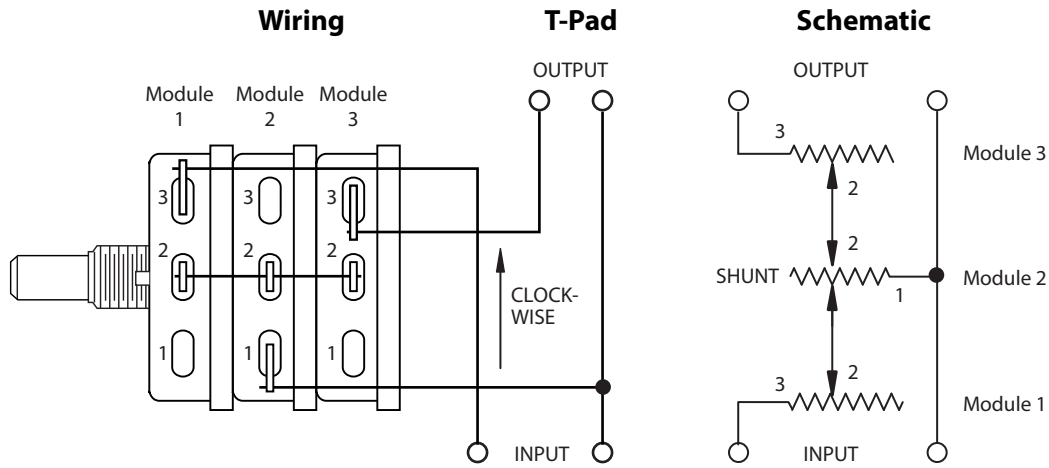


D-Series Outline and Mounting Dimensions (mm/inch)



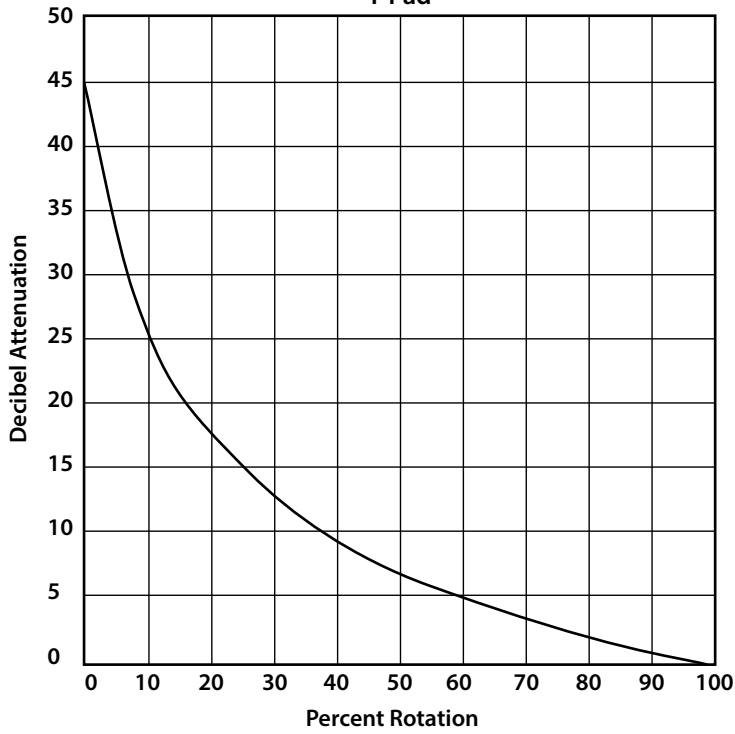
T-Pad Wirewound Attenuators

T-Pad Wiring Diagram and Schematic



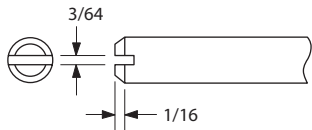
T-Pad Attenuation

Typical Attenuation Curve
T-Pad

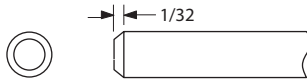


T-Pad Wirewound Attenuators

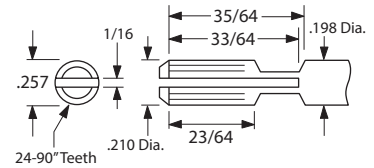
Shaft Styles



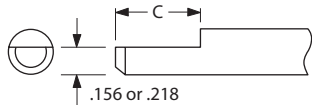
Style 1
Screwdriver Slot - .250 Diameter



Style 2
Plain Round - .250 Diameter



Style 3
E.I.A. Knurl - .250 Diameter



Style 4
Flatted - .250 Diameter

Ordering Information

Example Part Number: **DT-1-040-160-R-PP1**

DT	—	1	—	040	—	160	—	R	—	PP1
T-Pad Series *:		Shaft End Type:		Shaft Length:		Resistance Code Examples:		Locating Lug:		
DT = 3 Watts / 10 Watts		1 = Slotted		032 = 1/2"		8A0 = 8 ohms		R = Right		
QDT = 3 Watts / 10 Watts		2 = Plain Round		040 = 5/8"		160 = 16 ohms		L = Left		
ET = 4 Watts / 15 Watts		3 = Knurled		056 = 7/8"		500 = 50 ohms		N = None		
EGT = 12.5 Watts / 50 Watts		4 = Flatted		100 = 1"		601 = 600 ohms				
QET = 4 Watts / 15 Watts		Shaft Diameter:		200 = 2"						
QEGT = 12.5 Watts / 50 Watts		.250" only		XXX = Special						

*Power: DC / Continuous Audio
"Q" Prefix = Nickel Plated Body

Switch Option	Switch Action	Switch Type	Switch Rating
Blank	No Switch		
PP1	Push-Pull	SPST	1A 125VAC 0.5A 125VDC
PP2	Push-Pull	SPST	3A 125VAC 0.5A 125VDC
PP3	Push-Pull	SPST	5A 125VAC 1A 125VDC
PP4	Push-Pull	SPST	6A 125VAC 1A 125VDC
MT1	Momentary	SPST	2A 125VAC

Cross Reference		
Discontinued Honeywell Series	Description	State Electronics Series
CIL43	4 Watt Audio Attenuator (L-Pad)	DL Series
CIT43	4 Watt Audio Attenuator (T-Pad)	DT Series
CIL58	10 Watt Audio Attenuator (L-Pad)	EL Series
CIT58	10 Watt Audio Attenuator (T-Pad)	ET Series

Part numbers shown above are for specifying purposes only.
A unique part number will be assigned once the design has been finalized and approved by customer.

For more information about this product,
visit our website at:

<http://www.potentiometers.com>