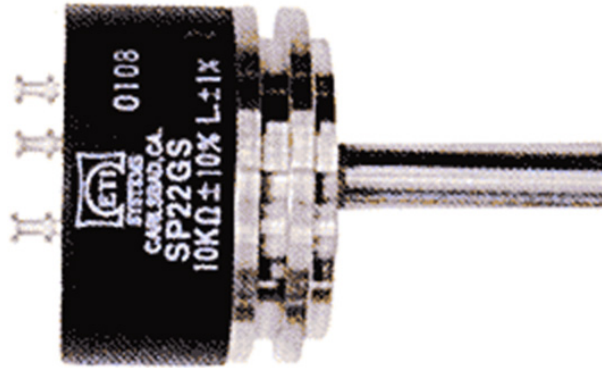


SP22GS Conductive Plastic Potentiometer - 7/8" dia.



For more information about this product, visit our website at: www.potentiometers.com



*Series SP22GS potentiometers feature
Conductive Plastic elements and gold plated terminals*

Features

- Conductive Plastic resistive element
- High Temperature Plastic housing
- Servo Mount
- Stainless steel shaft
- Solderable Double Turret Terminals.

Options:

- Center Tap
- Sealed Body
- Flatted Shaft
- Side Terminals
- Side Load Treatment

Electrical Specifications

Resistance Range: 500 to 100K ohms standard
Resistance Tolerance: $\pm 10\%$
Independent Linearity: $\pm 1\%$
Electrical Rotation: $340^\circ \pm 4^\circ$
Power Rating: 1 watt
Insulation Resistance: 1000 Megohms @ 500VDC
Dielectric Strength: 500 VAC

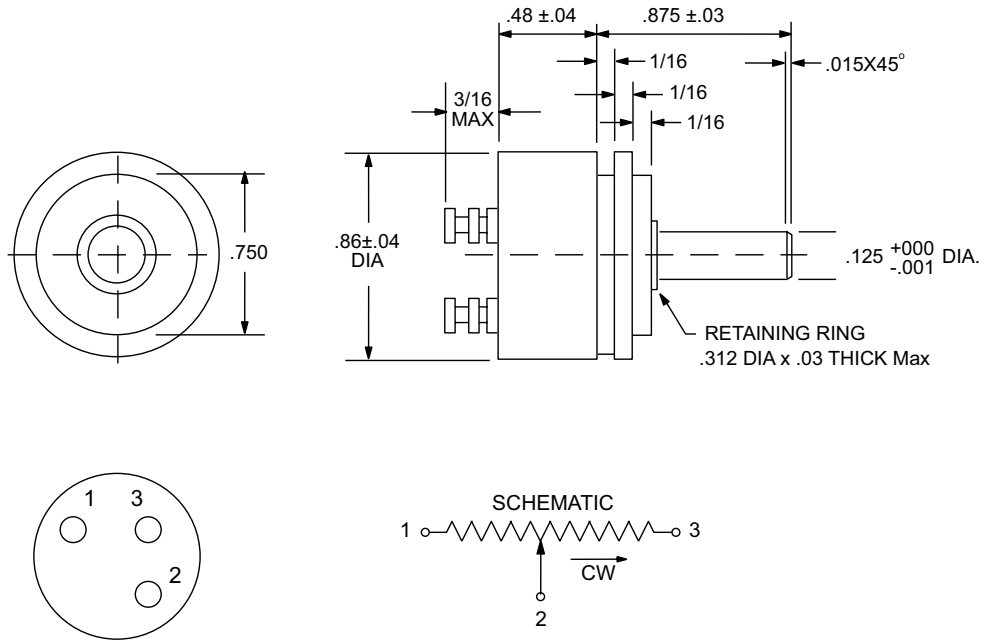
Mechanical Specifications

Mechanical Rotation: Continuous
Torque: 0.7 oz. in.
Shaft End Play: .006 Max.
Weight: 1.1 oz.
Rotational Life: 10,000,000 Turns rated

Environmental Specifications

Operating Temperature: -55°C to $+105^\circ\text{C}$
Temperature Coefficient: ± 400 PPM/ $^\circ\text{C}$
Vibration: 10HZ to 2000HZ 15G
Shock: 50G 11MS
Moisture Resistance: 40°C 95%RH 120 Hours

SP22GS Conductive Plastic Potentiometer - 7/8" dia.



Ordering Information

Example Part Number: **SP22GS-10K-CT**

SP22GS	10K	CT
Model	Resistance	Options
SP22GS	500 = 500 ohms 1K = 1K ohms 5K = 5K ohms 10K = 10K ohms 20K = 20K ohms 50K = 50K ohms 100K = 100K ohms	CT = Center Tap SB = Sealed Body FL = Flatted Shaft NS = No Stops SL = Side Load Treatment

For more information about this product, visit our website at: www.potentiometers.com



© State Electronics
 36 State Route 10, STE 6 • East Hanover, NJ 07936-0436
 973-887-2550 • Toll Free 1-800-631-8083 • Fax 973-887-1940
<http://www.potentiometers.com>