

SMR46 Multi-Turn Wirewound SwitchPot



For more information about this product, visit our website at: www.potentiometers.com



**Series SMR46B potentiometers feature
3, 5, 10, 15, 20 & 30-Turn Wirewound elements and
isolated snap action switches**

Features

- Wirewound Resistive Element
- Isolated Snap Action Switches at each end
- 3, 5, 10, 15, 20, 30 turn models
- Aluminum Anodized Housing
- Stainless steel shaft, brass bushing
- Silver plated terminals
- Bushing bearings

Optional Features:

- Servo mount, Limit Switches,
- O-Ring Shaft Seal, Sealed Body

Electrical Specifications

Resistance Range:

50 ohm to 1Meg ohms standard

Resistance Tolerance: $\pm 5\%$

Independent Linearity:

3 Turn: $\pm 0.5\%$

5 Turn: $\pm 0.5\%$

10, 15, 20, 30 Turn: $\pm 0.25\%$

Power Rating:

3 Turn: 2 watt

5 Turn: 2.5 watt

10, 15, 20, 30 Turn: 5 watts

Insulation Resistance:

100 Megohms@1000VDC

Dielectric Strength: 1,000 VAC

Electrical Angle (Tolerance $\pm 5^\circ$):

3 Turn: 1080° 15 Turn: 5400°

5 Turn: 1800° 20 Turn: 7200°

10 Turn: 3600° 30 Turn: 10800°

Mechanical Specifications

Mechanical Rotation (Tolerance $+10^\circ -0^\circ$):

3 Turn: 1080° 15 Turn: 5400°

5 Turn: 1800° 20 Turn: 7200°

10 Turn: 3600° 30 Turn: 10800°

Rotational Torque: 2.8 oz. in. Max

Rotational Life:

3 Turn: 600,000 Turns

5 Turn: 1,000,000 Turns

10, 15, 20, 30 Turn: 2,000,000 Turns

Environmental Specifications

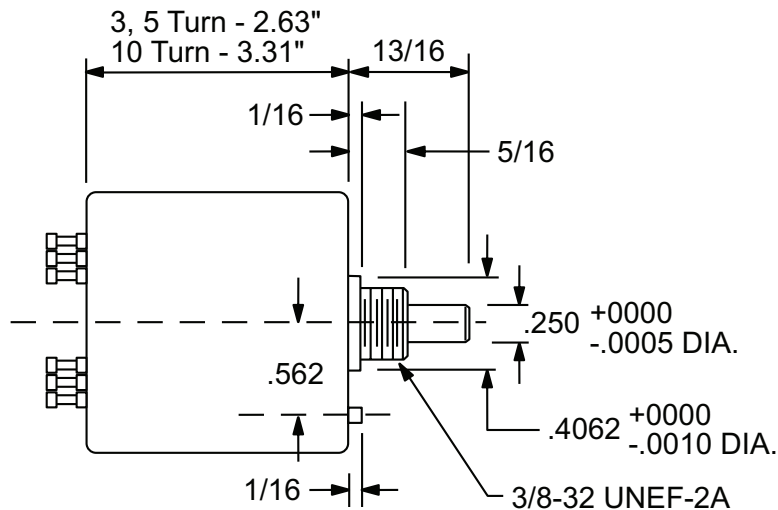
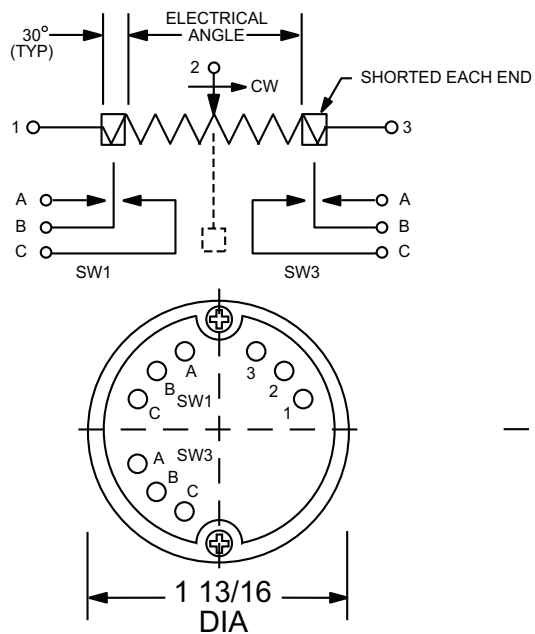
Operating Temperature: -55°C to $+105^\circ\text{C}$

Vibration: 10HZ to 2000HZ 15G

Shock: 50G 11ms

Moisture Resistance: 40°C 95%RH 120 Hours

SMR46 Multi-Turn Wirewound SwitchPot



Ordering Information

Example Part Number: **SMR46B-10-10K**

SMR46	B	10	2	10K	SS
Model	Mount	Turns	Switch	Resistance	Option
SMR46	B = Bushing S = Servo	3 = 3 Turns 5 = 5 Turns 10 = 10 Turns 15 = 15 Turns 20 = 20 Turns 30 = 30 Turns	1 = Single CCW 2 = Two Switches	100 = 100 ohms 200 = 200 ohms 500 = 500 ohms 1K = 1K ohms 2K = 2K ohms 5K = 5K ohms 10K = 10K ohms 20K = 20K ohms 50K = 50K ohms 100K = 100K ohms 200K = 200K ohms 300K = 300K ohms 500K = 500K ohms 1Meg = 1Megohms	SS = O-Ring Shaft Seal SB = Sealed Body

Note:
Maximum Resistance Values:
3 turn, 5 turn - Max. 100K
10 turn - Max. 300K
15 turn - Max. 200K
20 turn - Max. 500K
30 turn - Max. 1 Meg

For more information about this product, visit our website at: www.potentiometers.com



© State Electronics

36 State Route 10, STE 6 • East Hanover, NJ 07936-0436
973-887-2550 • Toll Free 1-800-631-8083 • Fax 973-887-1940
<http://www.potentiometers.com>