

S150 Series Azimuth Controller Joystick



For more information about this product, visit our website at: www.potentiometers.com



S150 Series Azimuth Controller
Industrial Joystick Series

Features

- Three Axis Joystick (X,Y, Z)
- 180° X-Axis
- 360° Z-Axis
- Friction Clutch
- Green Illuminated Lamp for X-axis graduations
- Custom Options available

X-Axis Pot

Model No.: SFCP12AC
Resistance: 10K \pm 15%
Center Tap: Current Tap approx. 4°
Linearity (Independent): \pm 2.0%
Power Rating: 0.1 watt
Electrical Rotating Angle: 180° +0°/-10°
Contact Resistance Variation: Below 5% C.R.V.
Resolution: Essentially Infinite
Output Smoothness: Below 0.2% against input voltage
Center Return Accuracy: 50%P2%
Insulation Resistance: Over 1000M@500 VDC
Mechanical Operation Angle: \pm 90° \pm 5°
Dielectric Strength: 1 Minute at 500 VAC

Electrical Specifications

Z-Axis Pot

Model No.: SFSCB22A
Resistance: 10K \pm 15%
Insulation Resistance: Over 1000M@500 VDC
Conformity Tolerance: \pm 2.0%
Center Tap: Current Tap approx. 4°
Power Rating: 0.5 watt
Electrical Rotating Angle: 360° (Endless)
Contact Resistance Variation: Below 8% C.R.V.
Resolution: Essentially Infinite
Output Smoothness: Below 0.1% against input voltage
Center Return Accuracy: SIN 50% \pm 5%
(COS 100%) at Center Detent Position
Mechanical Operating Angle: 360° (Endless)
Dielectric Strength: 1 Minute at 500 VAC

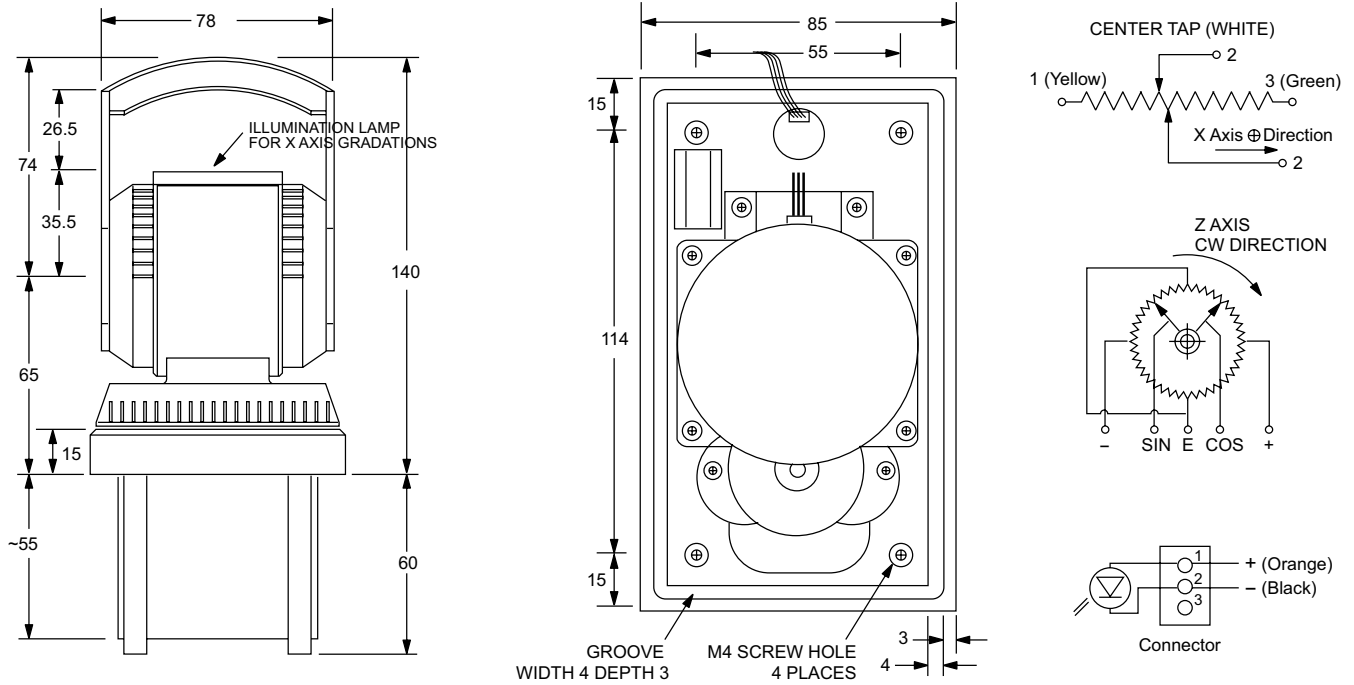
Illumination Lamps for Graduations

Model: LAPD-6GP (LED Type)
Rating: 30mA, 6V \pm 5% D.C.
Illumination Color: Green

Environmental Specifications

Operating Temperature: -20°C to +65°C
Vibration: 10~55Hz, 98m/s²
Shock: 298m/s² (30G)
Lever Strength: Max.50N
Index Protection: IP54

S150 Series Azimuth Controller Joystick



Ordering Information

The **S150** Azimuth Controller is highly configurable - all **S150** Azimuth Controllers are built-to-order. Please contact a product engineer for a detailed quotation.

For more information about this product, visit our website at: www.potentiometers.com

STATE
ELECTRONICS