



Features

- High grade, long life
- Single and dual gang
- Assortment of resistance tapers
- Tracking error within ± 3 dB
- 45, 60 and 100 mm sizes
- Wide operating temperature range
- T-bar lever option



PTS Series High Grade Slide Potentiometer

Electrical Characteristics

Standard Resistance Range 1K ohms to 1 megohm
 Standard Resistance Tolerance... ± 20 %
 End Resistance 1 ohm max.
 Insulation Resistance @ 500 VDC
 100 megohms min.
 Dielectric Withstanding Voltage
 1000 VAC
 Tracking Error ± 3 dB
 Standard Taper Linear, Audio
 Power Rating
 Linear 0.5 watt
 Audio 0.25 watt
 Slider Noise 60 mV max.

Environmental Characteristics

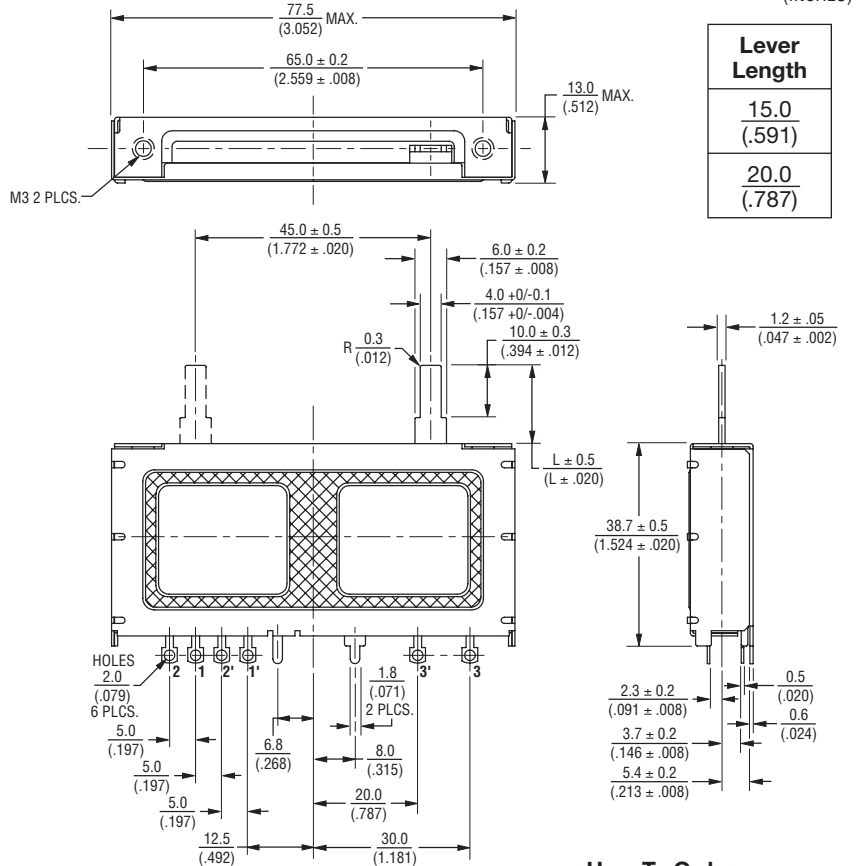
Operational Life 100,000 cycles
 TR Shift ± 15 %
 Operating Temperature Range
 -10 °C to $+55$ °C
 Resistance to Solder Heat..... ± 5 %

Mechanical Characteristics

Mechanical Travel..... Length ± 0.5 mm
 Operating Force 60 gf
 Stop Strength 5 kgf min.
 Shaft Axial Force 10 kgf min.
 Shaft Wobble.. $2(2 \times L/25)$ mm p-p max.
 Soldering Condition
 Manual 300 °C ± 5 °C for 3 sec.
 Wave 260 °C ± 5 °C for 5 sec.
 Wash Not recommended

Product Dimensions

45 mm Length of Travel Lever End Style "A"



Standard Resistance Table

Resistance (Ohms)	Resistance Code
1,000	102
2,000	202
5,000	502
10,000	103
20,000	203
50,000	503
100,000	104
200,000	204
500,000	504
1,000,000	105

How To Order

PTS 45 - 0 2 L - 103 B2

Model Number _____
 Designator _____
 PTS = High Grade Slide Potentiometer
 Length of Travel _____
 45 = 45 mm
 60 = 60 mm
 01 = 100 mm
 Lever End Style/Length _____
 0 = Lever End Style "A" / 15 mm
 1 = Lever End Style "T" / 8.2 mm
 2 = Lever End Style "A" / 20 mm
 No. of Gangs _____
 1 = Single Gang
 2 = Dual Gang
 Mounting Type _____
 L = Solder Lugs
 P = PC Pins
 Resistance Code _____
 (See Standard Resistance Table)
 Resistance Taper (See Taper Charts) _____
 Taper Series followed by Curve Number

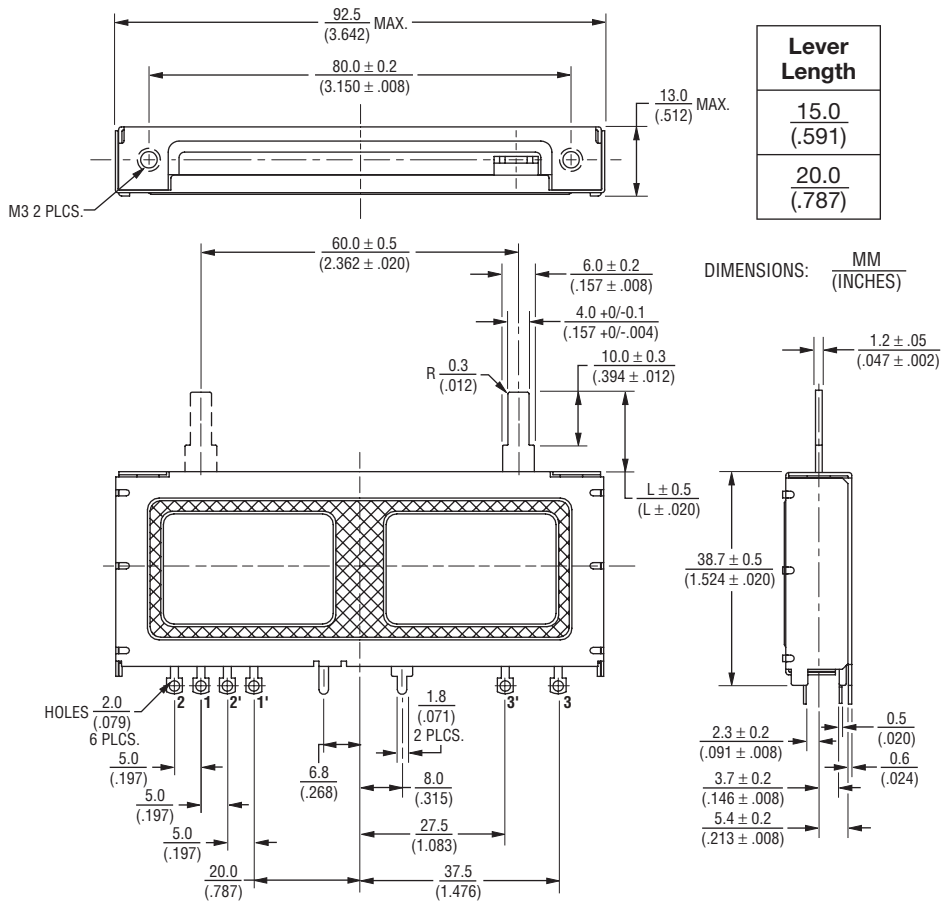
Applications

- Professional mixing consoles
- Professional outboard gear

PTS Series High Grade Slide Potentiometer **BOURNS®**

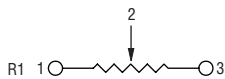
Product Dimensions

60 mm Length of Travel
Lever End Style "A"

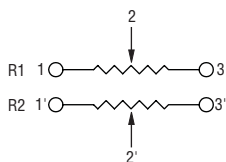


Schematics

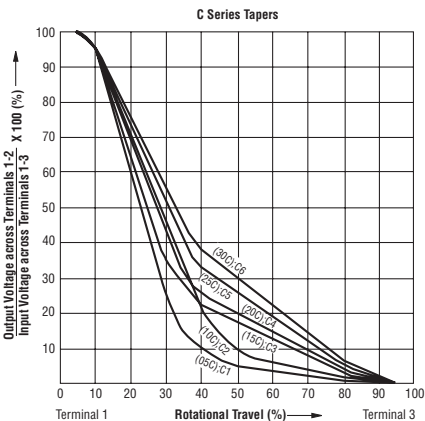
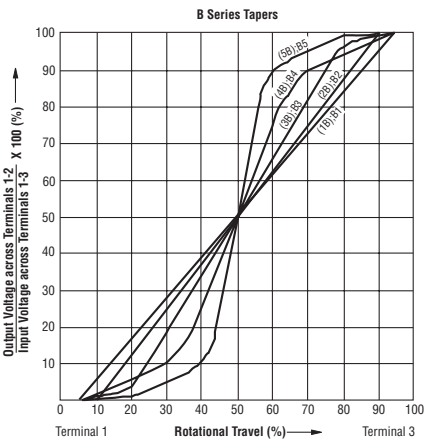
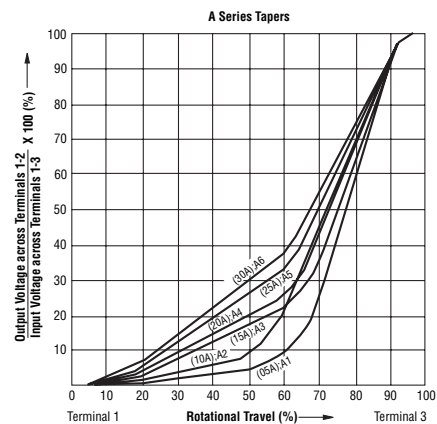
Single Gang



Dual Gang



Tapers

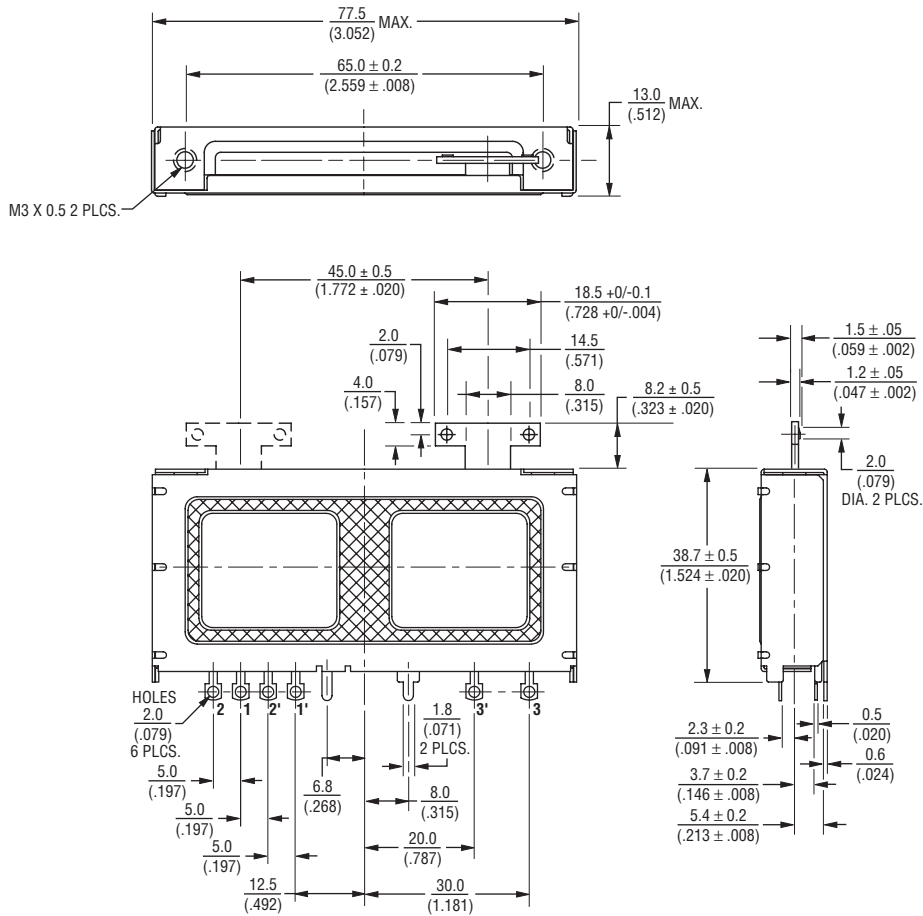


PTS Series High Grade Slide Potentiometer

BOURNS®

Product Dimensions

45 mm Length of Travel
Lever End Style "T"



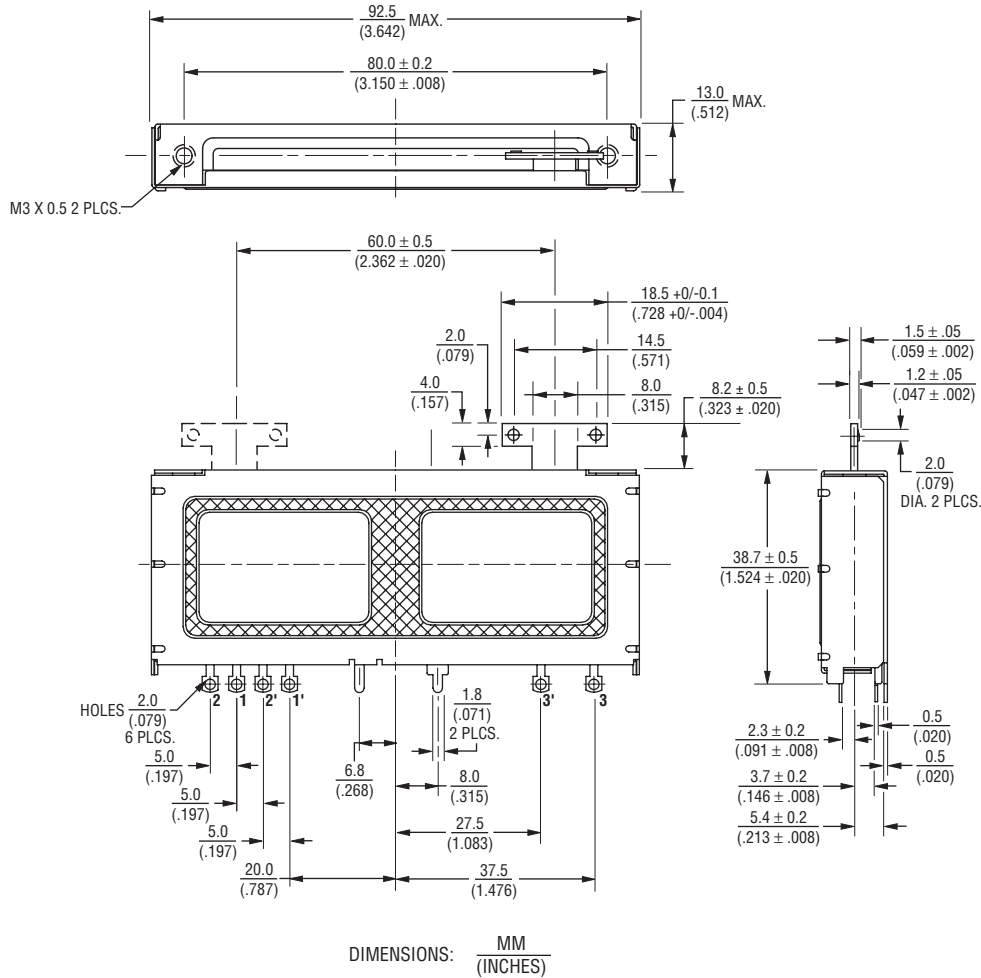
DIMENSIONS: $\frac{\text{MM}}{\text{(INCHES)}}$

PTS Series High Grade Slide Potentiometer

BOURNS®

Product Dimensions

60 mm Length of Travel
Lever End Style "T"

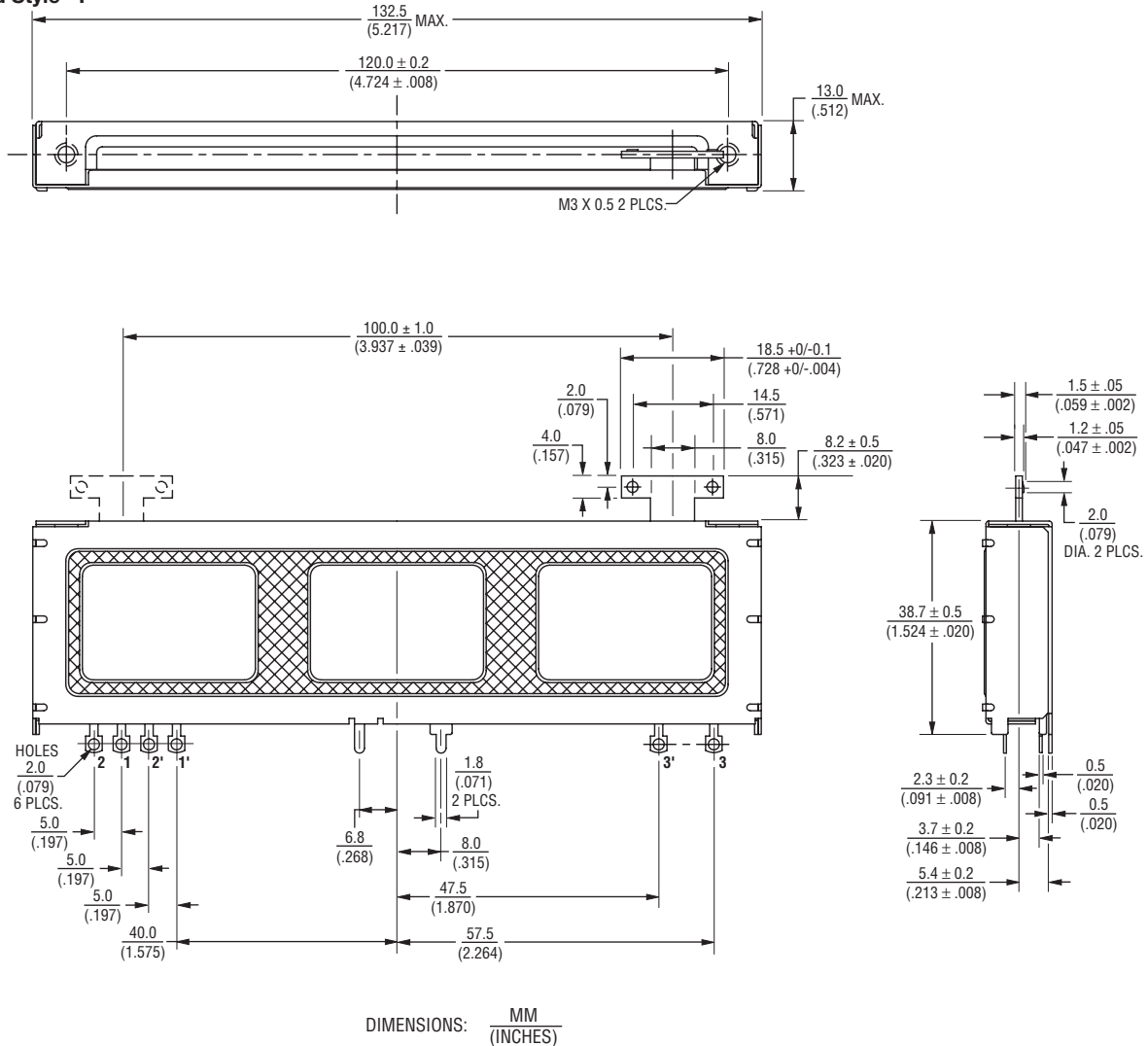


PTS Series High Grade Slide Potentiometer

BOURNS®

Product Dimensions

100 mm Length of Travel
Lever End Style "T"



REV. 02/10

Specifications are subject to change without notice.
Customers should verify actual device performance in their specific applications.

For more information about this product, visit our website at: www.potentiometers.com