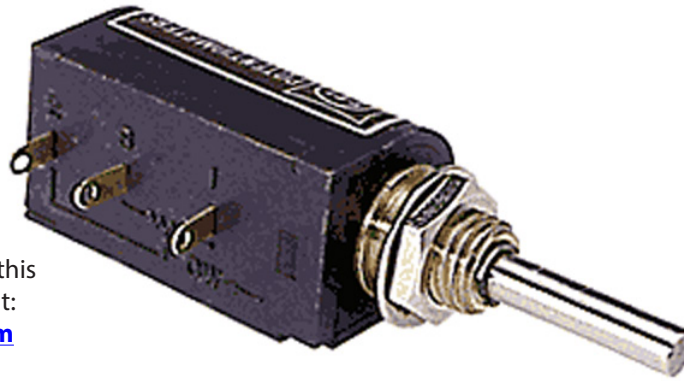


MW12 - Multi-Turn Wirewound Potentiometer



For more information about this product, visit our website at: www.potentiometers.com

Series MW12 potentiometers feature Multi-Turn Wirewound elements.

Features

- Wirewound resistive element
- Hi Temperature Plastic Housing.
- Stainless steel shaft, brass bushing
- Gold plated terminals

Optional Features:

- Servo mount
- O-Ring Shaft Seal
- Sealed Body

Electrical Specifications

Resistance Range: 20 to 100K ohms standard

Resistance Tolerance: $\pm 3\%$

Independent Linearity: $\pm 0.25\%$

Electrical Angle:

10 Turn: $3600 \pm 5^\circ$

5 Turn: $1800 \pm 5^\circ$

3 Turn: $1080 \pm 5^\circ$

Power Rating: 10 Turn: 1.5 watts

Insulation Resistance: 100 Megohms@500VDC

Dielectric Strength: 1,000 VAC

Mechanical Specifications

Mechanical Rotation: $3600^\circ + 15^\circ - 0^\circ$

Torque: .4 oz. in. Max

Weight: 0.35 oz.

Rotational Life: 1,000,000 Turns rated

Environmental Specifications

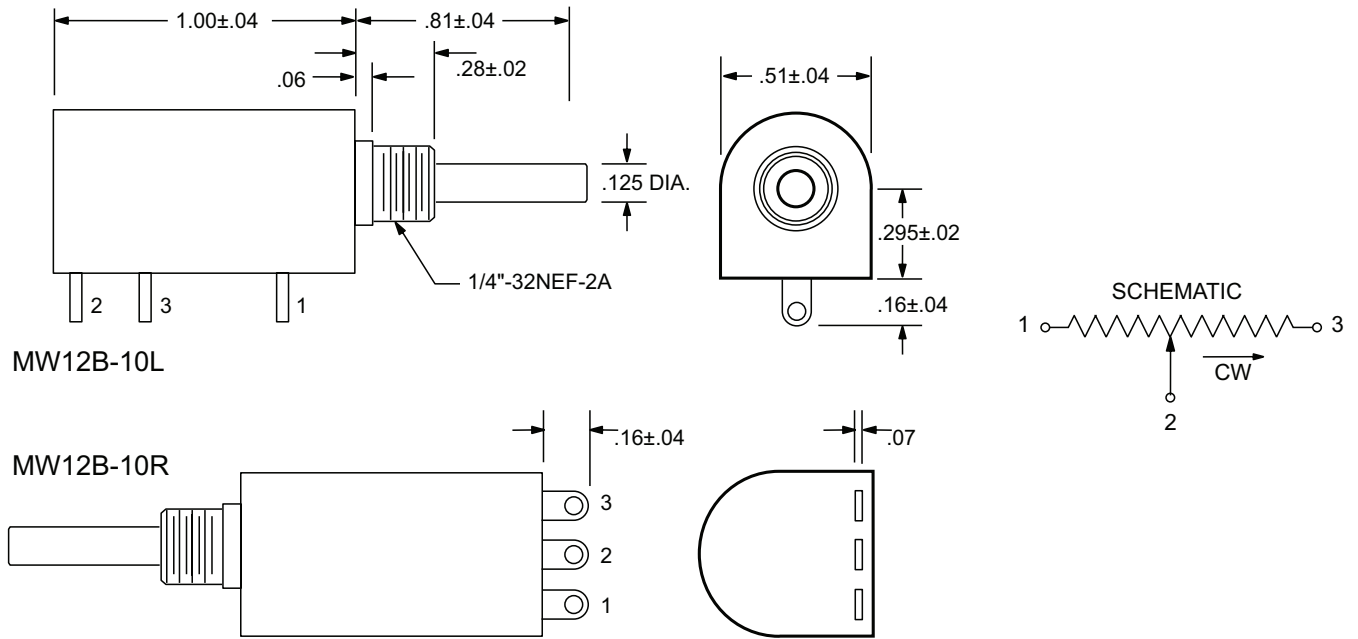
Operating Temperature: -55°C to $+105^\circ\text{C}$

Vibration: 10HZ to 2000HZ 15G

Shock: 50G 11ms

Moisture Resistance: 40°C 95%RH 120 Hours

MW12 - Multi-Turn Wirewound Potentiometer



Ordering Information

Example Part Number: **MW12B-10-L-10K**

| MW12 | B | 10 | L | 10K | SS |
|-------------|--|--|--|--|-------------------------------|
| Model | Mount | Turns | Terminals | Resistance | Option |
| MW12 | B = Bushing S = Servo | 10 = 10 Turns 5 = 5 Turns 3 = 3 Turns | L = Side of Body R = Rear of Body | 100 = 100 ohms 200 = 200 ohms 500 = 500 ohms 1K = 1K ohms 2K = 2K ohms 5K = 5K ohms 10K = 10K ohms 20K = 20K ohms 50K = 50K ohms 100K = 100K ohms | SS = O-Ring Shaft Seal |

For more information about this product, visit our website at: www.potentiometers.com



© State Electronics

36 State Route 10, STE 6 • East Hanover, NJ 07936-0436
973-887-2550 • Toll Free 1-800-631-8083 • Fax 973-887-1940
<http://www.potentiometers.com>