

MD30 1.22" Dia. Concentric Turn-Counting Dial



For more information about this product, visit our website at: www.potentiometers.com



Series MD30 Precision Concentric 1.22" Diameter Turn-Counting Dial

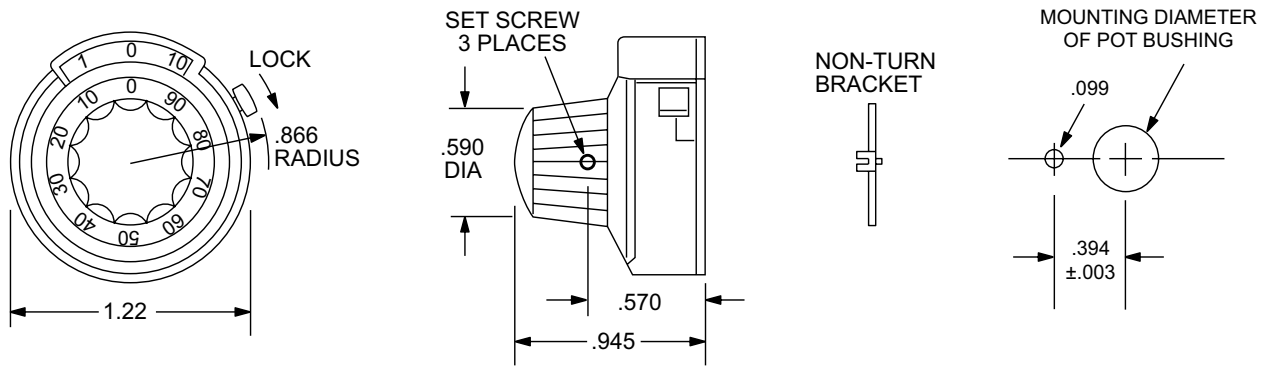
Features

- Counts up to 10 turns
- Black Aluminum Housing
- Black Nylon knob
- White Numbers on Black Background
- Over the Center Lock (standard)
- Positive brake—red/green position indicators

Mechanical Specifications

Turns Counted: 10
Diameter: 1.22 inch
Extension from Panel: .914 inch
Housing Material: Aluminum
Finish (Housing): Black
Knob Material: Black Nylon
Shaft Size: 1/8", 1/4", 6mm

MD30 1.22" Dia. Concentric Turn-Counting Dial



Ordering Information

Example Part Number: **MD30L-1/4**

MD30L	1/4
Model	Shaft Diameter
	1/8
	1/4
	6mm

For more information about this product, visit our website at: www.potentiometers.com



© State Electronics

36 State Route 10, STE 6 • East Hanover, NJ 07936-0436
 973-887-2550 • Toll Free 1-800-631-8083 • Fax 973-887-1940
<http://www.potentiometers.com>