

MB25 1" Dia. Concentric Turn-Counting Dial



For more information about this product, visit our website at: www.potentiometers.com



Series MB25 Precision Concentric 1" Diameter Turn-Counting Dial

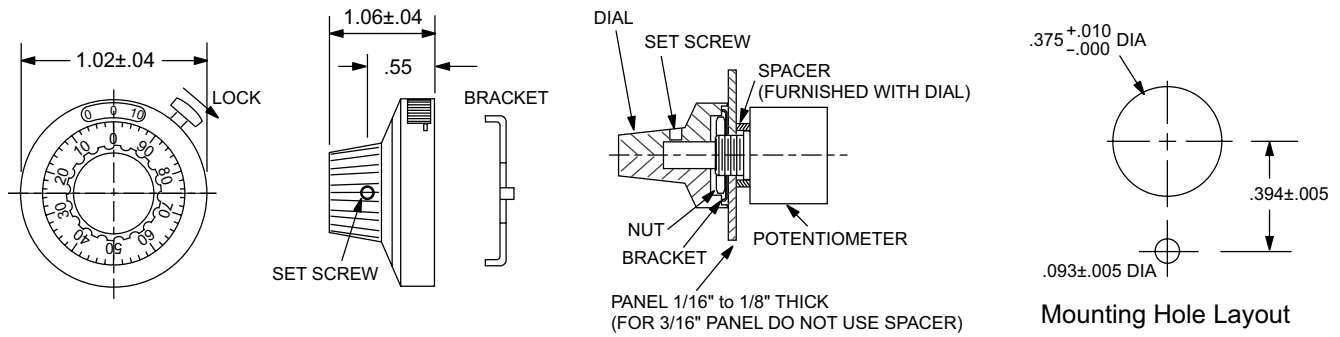
Features

- Counts up to 10 turns
- Aluminum Housing; Black Nylon knob
- Large, Easy to Read Numbers
- Panel Thickness: 1/16" to 3/16
- Over Center Lock Standard

Mechanical Specifications

Turns Counted: 10 turns maximum
Diameter: 1 inch
Extension from Panel: 1.06 inch
Panel Thickness (max): 3/16 inch
Housing Material: Aluminum
Finish (Housing): Satin, Black
Knob Material: Black Nylon
Numbers: White on Black background

MF25 1" Dia. Concentric Turn-Counting Dial



Ordering Information

Example Part Number: **MBA25-1/4-Lock**

| MG22 | 1/4 | Lock |
|---------------|----------------|-----------------|
| Model | Shaft Diameter | Lock |
| MB25 = Satin | 1/8 | Lock (standard) |
| MBA25 = Black | 1/4 | No Lock |
| | 6mm | |

For more information about this product, visit our website at: www.potentiometers.com



© State Electronics

36 State Route 10, STE 6 • East Hanover, NJ 07936-0436
 973-887-2550 • Toll Free 1-800-631-8083 • Fax 973-887-1940
<http://www.potentiometers.com>