

# LO20C Oil-Filled Wirewound Linear Potentiometer



For more information about this product, visit our website at: [www.potentiometers.com](http://www.potentiometers.com)

*Series LO20C oil-filled linear potentiometers feature a Wirewound Element with a waterproof connector (not shown in photo)*

## Features

- Wirewound resistive element
- Sealed Body
- Waterproof Connector
- Mating Connector included
- IP66 rated Protection Grade
- Stroke Length: 15, 50, 100, 200mm

## Mechanical Specifications

- Stop strength: 10 lbs min.
- Friction: 52.91 oz. max.
- Life: 2,000,000 strokes

## Environmental Specifications

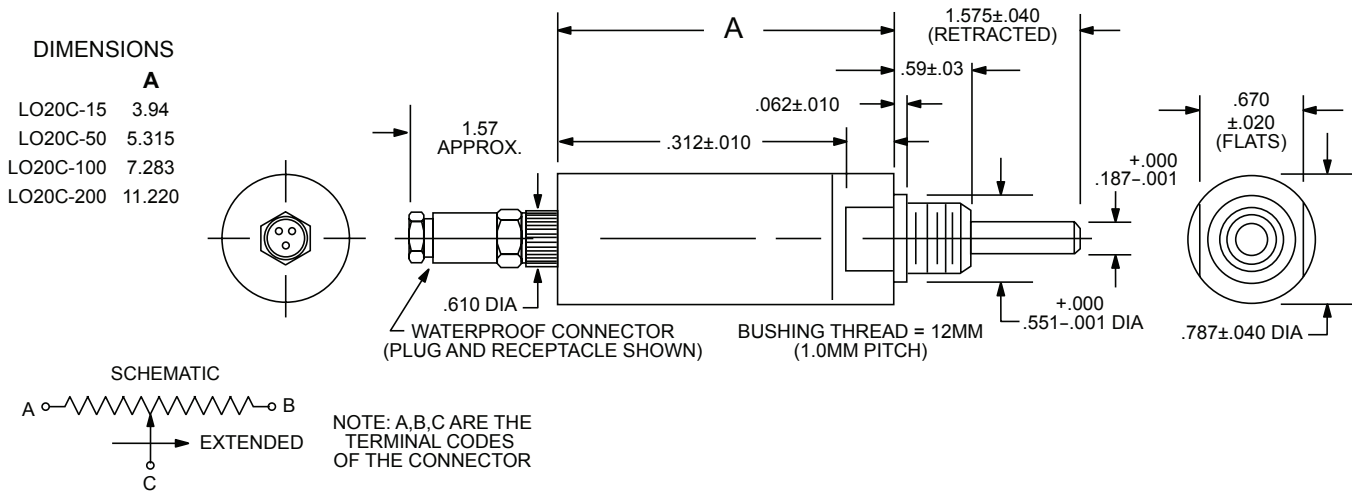
- Operating Temp: -20°C to 50°C

## Electrical Specifications

- Resistance Range: 10 to 50K ohms standard  
See chart below
- Resistance Tolerance:  $\pm 5\%$
- Noise: 100 ohm max
- Insulation Resistance: 100 Megohms @ 500VDC
- Dielectric Strength: 900VDC

Model	Elec. Stroke	Mech. Stroke	Linearity	Resistance Range	Weight
LO20C-15	.590"	.630"	$\pm 1.0\%$	10 - 5K	.30lb
LO20C-30	1.968"	2.087"	$\pm 0.7\%$	25 - 20K	.30lb
LO20C-100	3.937"	4.055"	$\pm 0.5\%$	50 - 20K	.35lb
LO20C-200	7.874"	7.992"	$\pm 0.5\%$	100 - 80K	.70lb

# LO20C Oil-Filled Wirewound Linear Potentiometer



## Ordering Information

Example Part Number: **LO20C-P-100-10K**

LO20C	P	100	10K
<b>Model</b>	<b>Shaft</b>	<b>Stroke Length</b>	<b>Resistance</b>
<b>LO20C</b>	P = Plain T = Threaded #10-32	15 = 15mm 50 = 50mm 100 = 100mm 200 = 200mm	10 = 10 ohms 25 = 25ohms 50 = 50 ohms 200 = 200 ohms 500 = 500 ohms 1K = 1K ohms 2K = 2K ohms 5K = 5K ohms 10K = 10K ohms 20K = 20K ohms 50K = 50K ohms

For more information about this product, visit our website at: [www.potentiometers.com](http://www.potentiometers.com)

