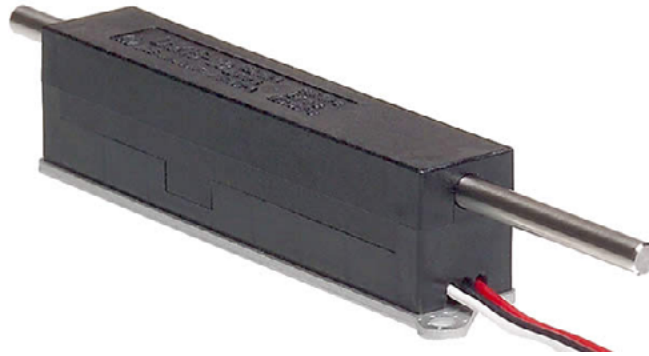


LHK15-30 Linear Hall Effect Potentiometer



For more information about this product, visit our website at: www.potentiometers.com



LHK15-30 Hall Effect Linear Potentiometer with front and rear extended shaft

Features

- Contactless Linear Motion Potentiometer
- 30mm stroke
- IP65 rating
- Single, Dual, or Dual Independent Output
- 50 million operations life expectancy
- RoHS compliant

Electrical Specifications

Electrical Stroke: 30mm±5mm
Applied Voltage: 5VDC ±10%
Output Voltage: 0.5 to 4.5V (±0.15V)
Load Resistance: 10K ohms min.
Effective Output: 10%±3% to 90%±3% Vin
Output Temp. Characteristics: Within ±0.8% Vout * FX

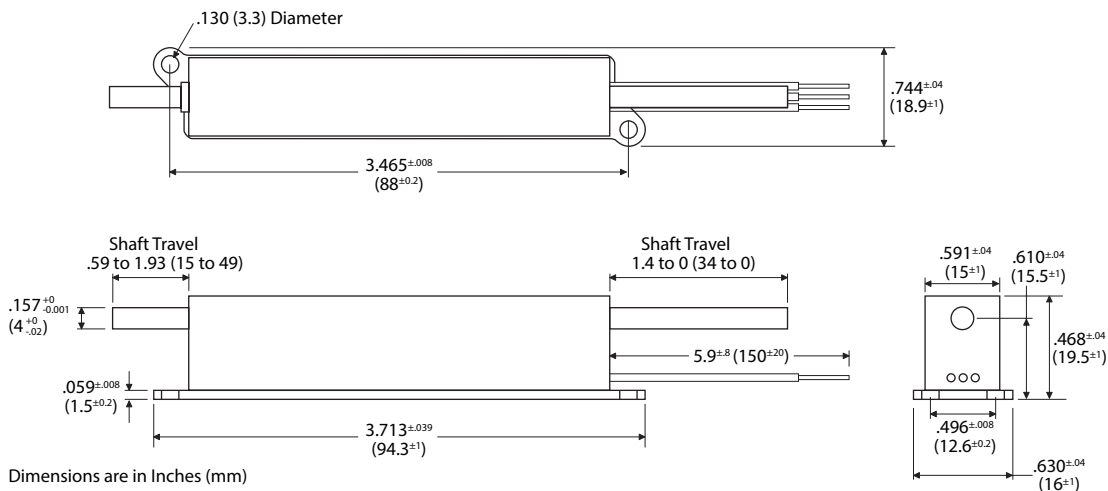
Mechanical Specifications

Mechanical Stroke: Approx. 34mm
Friction: Within 0.6N(60gf)
Mass: 44g
Stop Strength: Approx. 20N(2kgf)
Life expectancy: Approx. 50,000,000 reciprocating motions

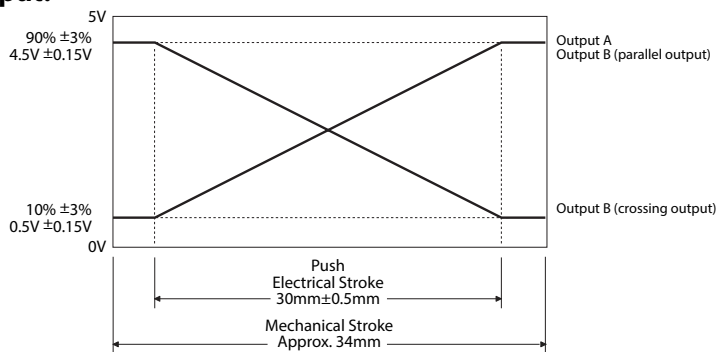
Environmental Specifications

Operating/Storage Temperature: -40°C to +105°C
Thermal Shock: -40°C to +105°C 5 cycles
Low Temp Exposure: 24 hours at -40°C
High Temp Exposure: 1,000 hours at +105°C
Vibration: 10HZ to 2,000HZ 196m/s² 12 hours
Shock: 980m/s² 6 ms (18 times)
EMS Durability: 100V/m (80MHz to 1GHz 1kHz 80% Amplitude Modulation)
ESD Durability: ±8kV contact discharge / ±15kV aerial discharge

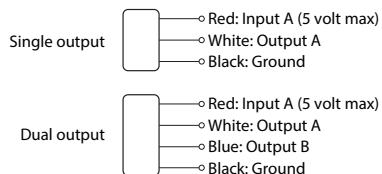
LHK15-30 Linear Hall Effect Potentiometer



Output:



Connections:



Lead wire (AWG24)

Output unit - 3 wires
Dual Output unit - 4 wires

Ordering Information

Example Part Number: **LHK15-30-P**

LHK	15	30	P
Model	Dimension	Stroke	Output
LHK	15 = 15mm width	30 = 30mm effective electrical stroke (standard)	S = Single output P = Dual Parallel output X = Dual Cross output

For more information about this product,
visit our website at: www.potentiometers.com



© State Electronics

36 State Route 10, STE 6 • East Hanover, NJ 07936-0436
973-887-2550 • Toll Free 1-800-631-8083 • Fax 973-887-1940
<http://www.potentiometers.com>