

LCPL Conductive Plastic Linear Potentiometer



For more information about this product, visit our website at: www.potentiometers.com

Series LCPL linear potentiometers feature a Conductive Plastic Element

Features

- Conductive Plastic resistive element
- Open Frame with Movable Contact Slider
- Anodized Aluminum Housing
- Gold Plated Brass Terminals
- Stroke Length: 200, 300, 400, 500, 1000mm standard

Electrical Specifications

Resistance Range:
1K to 500K ohms standard
See chart below

Resistance Tolerance: $\pm 20\%$

Resolution: Essentially infinite

Insulation Resistance: 1,000 Megohms @ 500VDC

Dielectric Strength: 1 Min @ 500VAC

Linearity: $\pm 0.5\%$

Mechanical Specifications

Housing: Anodized Aluminum

Life: 10,000,000 strokes

Environmental Specifications

Operating Temp: -30°C to 105°C

Temp Coefficient: $\pm 400\text{PPM}/^{\circ}\text{C}$

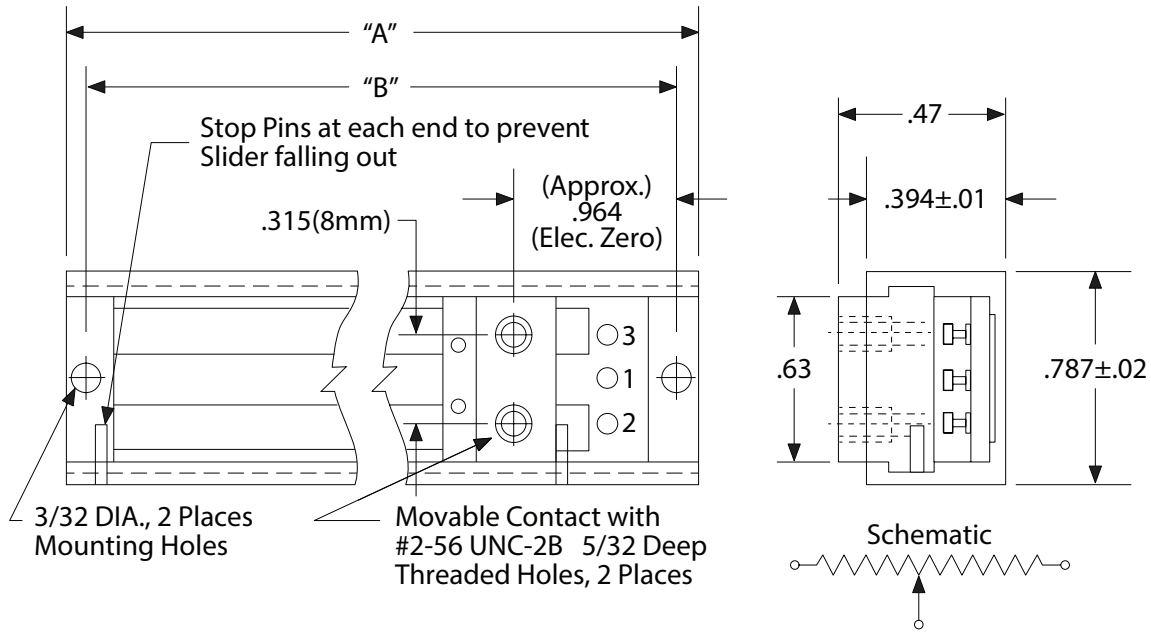
Vibration: 10Hz to 2,000Hz - 15G

Moisture Resistance: -40°C 85%RH 120 Hrs

Shock: 50G 11mS

Model	Elec. Stroke	Mech. Stroke	Power Watts	Resistance Range	Dim "A"	Dim "B"
LCPL115	4.52	4.646	1	1K - 10K	6.49	6.10
LCPL153	6.00	6.126	1	1K - 10K	7.97	7.60
LCPL200	7.874	8.000	2	2K - 10K	9.843	9.450
LCPL275	10.826	10.952	2	2K - 10K	12.796	12.403
LCPL300	11.811	11.929	2.5	5K - 20K	13.780	73.386
LCPL400	15.748	15.865	3	5K - 100K	17.716	17.323
LCPL458	18.000	18.118	3	5K - 100K	19.969	19.575
LCPL500	19.685	19.803	4	5k - 200k	21.654	21.260
LCPL553	21.000	21.197	4	5k - 200k	22.969	22.575
LCPL610	24.000	24.197	4	5k - 200k	25.969	25.575
LCPL1000	39.370	39.557	4	10k - 500k	41.338	40.944

LCPL Conductive Plastic Linear Potentiometer



Ordering Information

Example Part Number: **LCPL-300-10K**

LCPL	300	10K
Model	Stroke Length	Resistance
LCPL	200 = 200mm	1K = 1K ohms
	300 = 300mm	2K = 2K ohms
	400 = 400mm	5K = 5K ohms
	500 = 500mm	10K = 10K ohms
	1000 = 1000mm	20K = 20K ohms
		50K = 50K ohms
		100K = 100K ohms
		200K = 200K ohms
		500K = 500K ohms

For more information about this product, visit our website at: www.potentiometers.com

