

# LCP12 Conductive Plastic Linear Potentiometer



For more information about this product, visit our website at: [www.potentiometers.com](http://www.potentiometers.com)

***Series LCP12 linear potentiometers feature a Conductive Plastic Element, which provides essentially infinite resolution, long life, high speed tracking ability and good high frequency characteristics***

## Features

- Conductive Plastic resistive element
- Stroke Length: 1/2", 1", 2", 3", 4"
- Spring return optional
- Bronze bearings
- Aluminum black anodized case, plastic lid
- Stainless steel shaft - threaded or plain
- Gold plated brass terminals

## Electrical Specifications

Resistance Range: 500 to 20K ohms standard

Resistance Tolerance:  $\pm 20\%$

Insulation Resistance: 1,000 Megohms @ 500VDC

Dielectric Strength: 500 VAC min.

Linearity:

LCP-12:  $\pm 1.5\%$

LCP-25:  $\pm 1.0\%$

LCP-50:  $\pm 0.7\%$

LCP-76:  $\pm 0.5\%$

LCP-100:  $\pm 0.5\%$

Power Rating:

LCP-12: 0.2 watt

LCP-25: 0.4 watt

LCP-50: 0.7 watt

LCP-76: 1.2 watt

LCP-100: 1.2 watt

## Mechanical Specifications

Stroke Length: 1/2", 1", 2", 3", 4"

Shaft: Stainless steel - plain, chamfered, or threaded (#4-40 or #5-40)

Friction: 1.8 oz (3.6 oz for LCP12-100)

Weight: 10 to 35 grams

Life Expectancy: 20,000,000 strokes

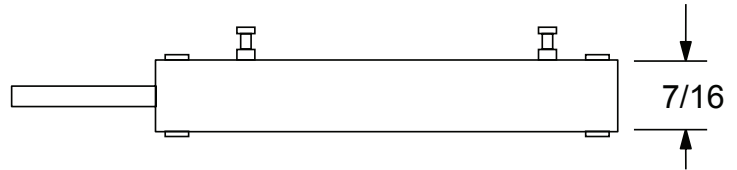
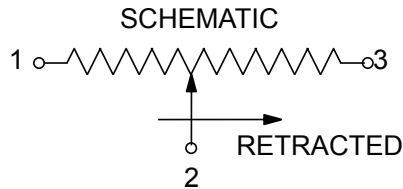
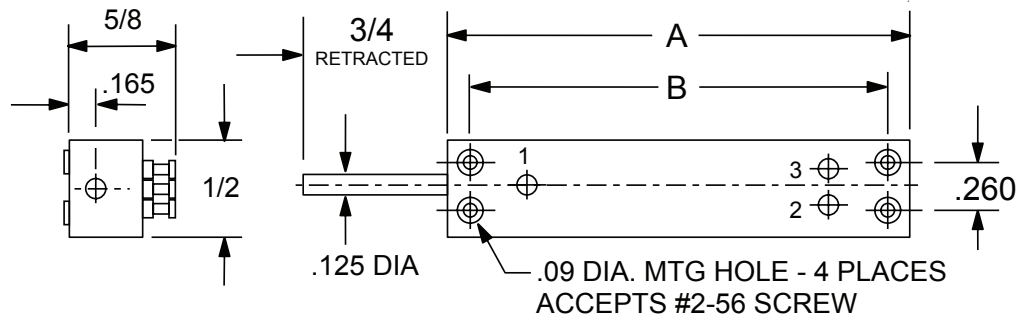
## Environmental Specifications

Temperature Coefficient:  $\pm 400$  PPM/ $^{\circ}$ C

# LCP12 Conductive Plastic Linear Potentiometer

## DIMENSIONS

	A	B
LCP12-12	1.50	1.26
LCP12-25	2.00	1.77
LCP12-50	3.00	2.75
LCP12-76	4.00	3.76
LCP12-100	5.00	4.76



## Ordering Information

Example Part Number: **LCP12-P-25-10K**

LCP12	P	25	10K	SB
Model	Shaft Style	Stroke Length	Resistance	Options
LCP12	<b>P</b> = Plain <b>PS</b> = Plain with Ext. Spring Return <b>C</b> = Chamfered <b>CS</b> = Chamfered with Ext. Spring Return  <b>A</b> = Threaded #4-40 <b>B</b> = Threaded #5-40	<b>12</b> = .5 inch <b>25</b> = 1 inch <b>50</b> = 2 inch <b>76</b> = 3 inch <b>100</b> = 4 inch	<b>500</b> = 500 ohms <b>1K</b> = 1K ohms <b>2K</b> = 2K ohms <b>5K</b> = 5K ohms <b>10K</b> = 10K ohms <b>20K</b> = 20K ohms	<b>SS</b> = O-Ring Shaft Seal <b>SB</b> = Sealed Body

For more information about this product, visit our website at: [www.potentiometers.com](http://www.potentiometers.com)

