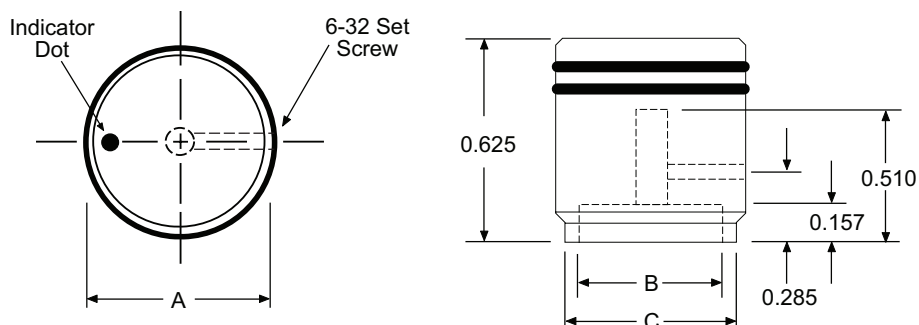


ML Series

Two exclusive “soft-touch” rings on the outside diameter of the “ML Model” knob, allows the user to “feel” the sensitive movement of this knob.

Indicator “dot” located on top of knob. Single 6-32 set screw.



ML-90 - Black



ML-75 - Clear



ML-63 - Black



ML-50 - Clear

ML Series - How to Order

Part Number Example: **ML-50-1-5**

| ML | 50 | 1 | 5 |
|----|---------------------|-----------------|-----------|
| | Dimensions (inches) | Color | Shaft |
| | A B C | 1 = Clear Gloss | 5 = .250" |
| | 50 = .500 .375 .445 | 2 = Black Gloss | 6 = .125" |
| | 63 = .625 .500 .570 | 3 = Clear Matte | 6mm = 6mm |
| | 75 = .750 .590 .695 | 4 = Black Matte | |
| | 90 = .925 .708 .882 | | |