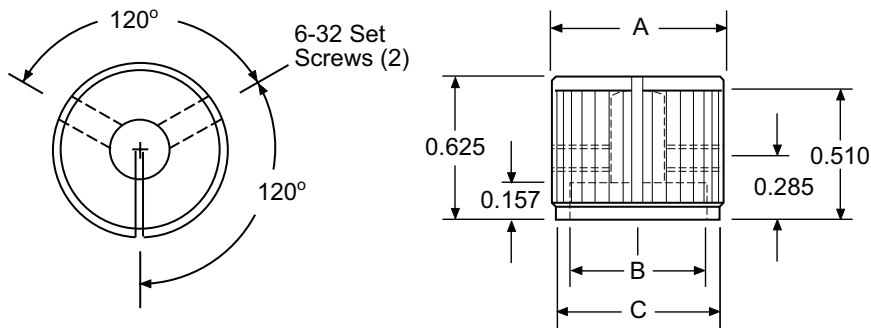


JD Series

The JD Series knob is simple, yet very traditional in appearance and feel. The look of this knob is long established and well respected.

Saw cut indicator line is on half of the top and full-length of the side. Two 6-32 set screws.



JD-90 - Black



JD-75 - Clear



JD-63 - Black



JD-50 - Clear

JD Series - How to Order

Part Number Example: **JD-50-1-5**

JD	50	1	5
	Dimensions (inches)	Color	Shaft
	A B C	1 = Clear Gloss	5 = .250"
	50 = .500 .375 .445	2 = Black Gloss	6 = .125"
	63 = .625 .500 .570	3 = Clear Matte	6mm = 6mm
	75 = .750 .590 .695	4 = Black Matte	
	90 = .925 .708 .882		