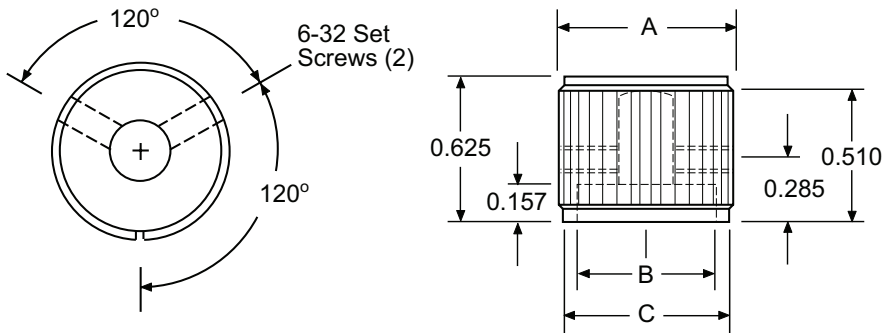


## DDS Series

The DDS Series is the DD Model with a skirt extended on the bottom portion of the knob for easier viewing of the rotation from the top.

Indicator "triangle" located on the skirt. Two 6-32 set screws.



### DDS Series - How to Order

Part Number Example: **DDS-50-1-5**

DDS	50	1	5
	<b>Dimensions (inches)</b>	<b>Color</b>	<b>Shaft</b>
	<b>A B C</b>	<b>1 = Clear Gloss</b>	<b>5 = .250"</b>
	<b>50 = .500 .375 .685</b>	<b>2 = Black Gloss</b>	<b>6 = .125"</b>
	<b>63 = .625 .500 .875</b>	<b>3 = Clear Matte</b>	<b>6mm = 6mm</b>
	<b>75 = .750 .590 1.000</b>	<b>4 = Black Matte</b>	
	<b>90 = .925 .708 1.250</b>		



**DDS-90 - Black**



**DDS-75 - Clear**



**DDS-63 - Black**



**DDS-50 - Clear**