

J30H Series Triple Axis Hall-Effect Joystick



For more information about this product, visit our website at: www.potentiometers.com



J30H Triple Axis Hall-Effect Joystick
Fine Precision Joystick Series

Features

- Three Axis Joystick (X, Y, Z)
- 30° X, Y deflection angle ($\pm 15^\circ$)
- 60° Z deflection angle ($\pm 30^\circ$)
- Hall-effect element
- Spring return to center on all three axis
- IP54 rating

Electrical Specifications

Applied Voltage: 5V DC $\pm 10\%$
Output Voltage: 0.5V to 4.5V
Current consumption: Approx. 6mA
Independent Linearity: $\pm 3.0\%$
Load Resistance: 10K ohms min.
Center Return Accuracy: 50% $\pm 3\%$
Resolution: Essentially Infinite
Insulation Resistance: >100 megohms@250VDC
Dielectric Strength: 1 minute @ 250VAC
EMC Immunity: 50V/m(80MHz-1GHz Sine Wave)
Connector: Molex 51021 8 pin, 1.25mm pitch

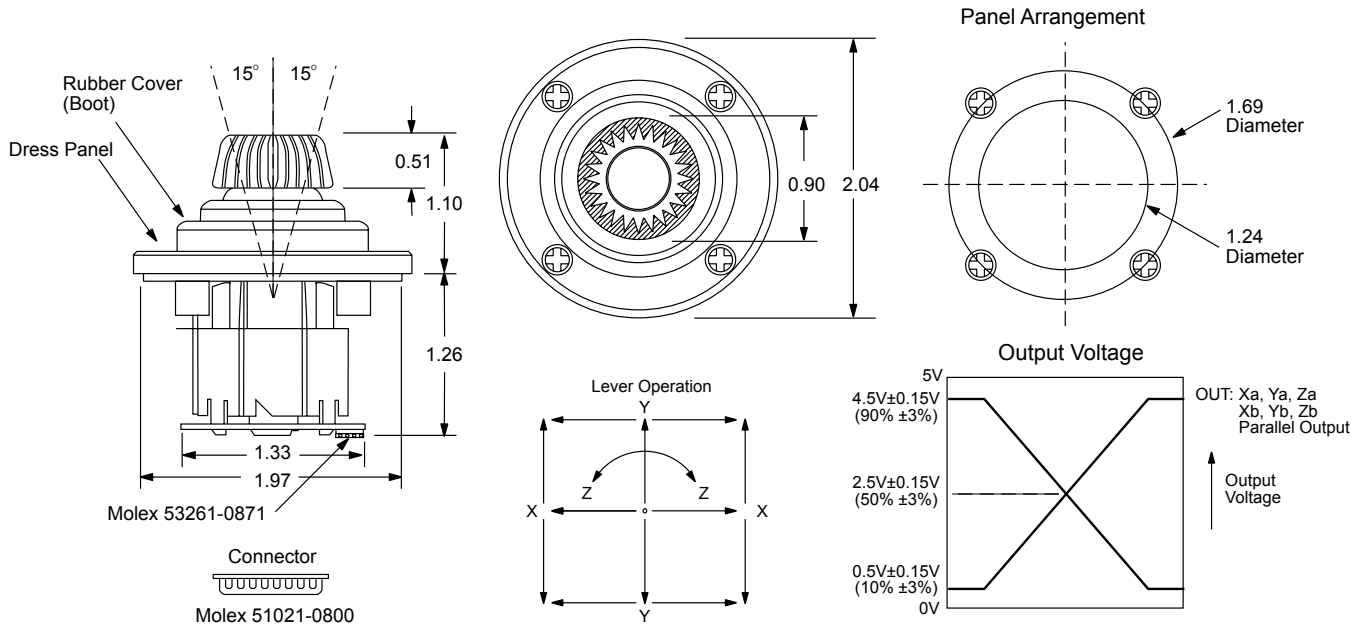
Mechanical Specifications

30° X, Y deflection angle ($\pm 15^\circ$)
X axis twist knob ($\pm 30^\circ$)
1.10" handle height
Operating force (X, Y) 5.39 to 10.79 oz-in
Operating force (Z) 1.39 to 4.16 oz-in
Life Expectancy: 1,000,000 cycles
Spring return to center on all three axis
Housing: High temp. thermoplastic
Terminals: Gold Plated Brass
Shock: 30G
Vibration: 10G @ 50Hz

Environmental Specifications

Operating Temperature: -20°C to $+60^\circ\text{C}$
Ingress Protection: IP54 rating

J30H Series Triple Axis Hall-Effect Joystick



Ordering Information

Part Number: **J30H-XYZ-B**

This part number is a standard configuration.
 Contact State Electronics directly for custom configurations.

For more information about this product, visit our website at: www.potentiometers.com



© State Electronics

36 State Route 10, STE 6 • East Hanover, NJ 07936-0436
 973-887-2550 • Toll Free 1-800-631-8083 • Fax 973-887-1940
<http://www.potentiometers.com>