

J1 Low Profile "Switch Stick" Joystick



For more information about this product, visit our website at: www.potentiometers.com



J1 Series Low Profile "Switch Stick" Joystick
Light Industrial Joystick Series

Features

- Two Axis Joystick
- 1.73" handle height
- 24° deflection angle ($\pm 12^\circ$)
- Spring return to center
- Tapered knob
- Four 5 amp/250VAC SPST directional switches (N.O and N.C contacts)
- 4-way or 8-way directional switching
- Four point mounting with hardware
- Protective rubber boot (IP65 rating above panel)
- Single axis and plus (+) pattern limiter plates included

Options

- 8 switches (4 Redundant switches, DPST)
- Cylindrical, pushbutton knobs
- Bushing Mounting

Electrical Specifications

Nominal Current Rating: 5 Amp
Max Voltage: 250 VAC

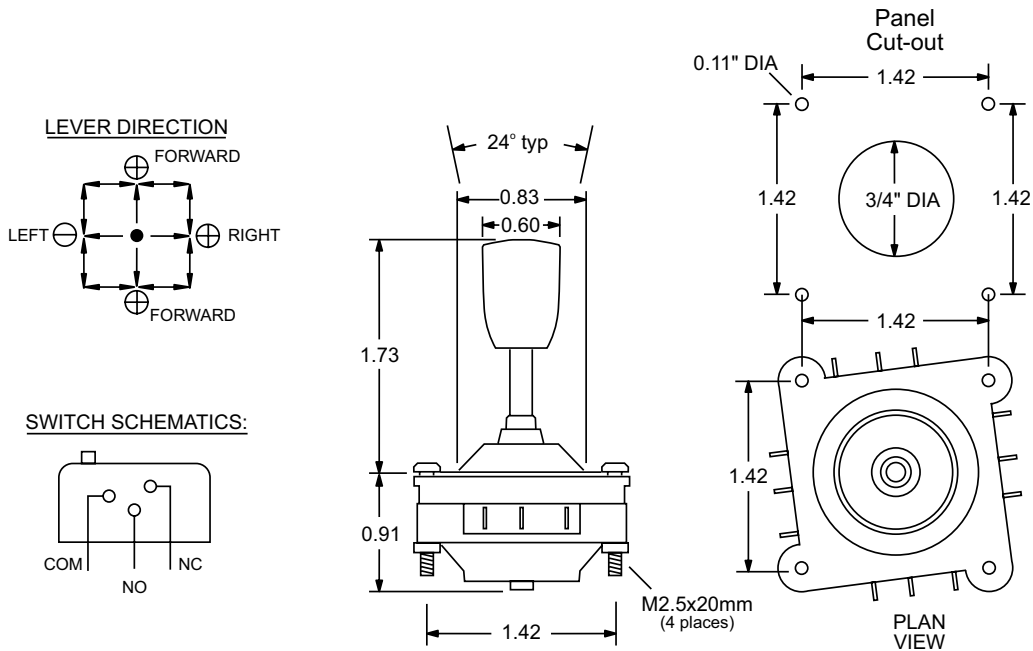
Mechanical Specifications

Lever Travel: $\pm 12^\circ$ from center
Lever Material: Stainless steel
Body Material: Mineral filled Nylon-6
Knob Material: Nylon or Aluminum
Boot Material: Vinyl
Termination: Solder
Life Expectancy: 5,000,000 operations

Environmental Specifications

Operating Temperature: -20°C to $+50^\circ\text{C}$
IP65 Above Panel

J1 Low Profile "Switch Stick" Joystick



Ordering Information

Example Part Number: **J1-4-Taper**

J1	4	Taper	BU
Model	Switches	Knob	Options
J1	4 = 4 Switches 8 = 8 Switches	Taper Cylinder Pushbutton	BU = Bushing

For more information about this product, visit our website at: www.potentiometers.com



© State Electronics
 36 State Route 10, STE 6 • East Hanover, NJ 07936-0436
 973-887-2550 • Toll Free 1-800-631-8083 • Fax 973-887-1940
<http://www.potentiometers.com>