

# DA10 Digital Precision Turn-Counting Dial



For more information about this product, visit our website at:  
[www.potentiometers.com](http://www.potentiometers.com)



**Series DA10 Precision Digital Turn-Counting Dial**  
15/16" Diameter; 1/8", 1/4", 3mm, 6mm Shaft

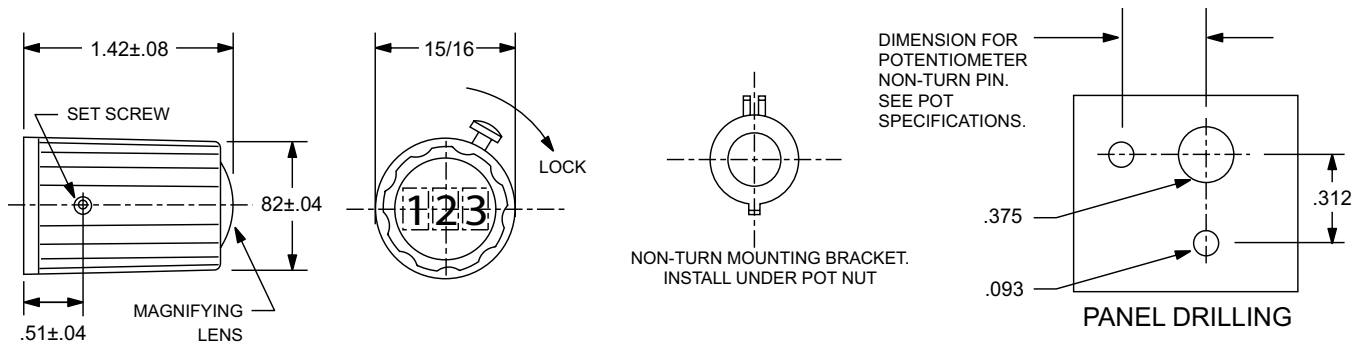
## Features

- Counts up to 10 turns (000-999)
- Black Housing with clear satin top
- Positive Brake
- Over the Center Lock (standard)
- Shaft Size: 1/8", 1/4", 3mm, 6mm

## Mechanical Specifications

Turns Counted: 10  
Total Count: 0 to 999  
Diameter: 15/16"  
Extension from Panel: 1.42"  
Weight: 1.5 oz.  
Operating Temperature: -30°C to +85°C  
Housing material: Black Plastic.  
Internal Base: Cast Aluminum  
Bushing: Brass

# DA10 Digital Precision Turn-Counting Dial



## Ordering Information

Example Part Number: **DA10L- 1/4**

| DA10         | L                 | 1/4  |
|--------------|-------------------|--|
| <b>Model</b> | <b>Lock</b>       | <b>Shaft Size</b>                                  |
| DA10 - Black | L - Yes<br>N - No | 1/8 - 1/8"<br>1/4 - 1/3"<br>3mm - 3mm<br>6mm - 6mm |

For more information about this product, visit our website at: [www.potentiometers.com](http://www.potentiometers.com)



© State Electronics

36 State Route 10, STE 6 • East Hanover, NJ 07936-0436  
973-887-2550 • Toll Free 1-800-631-8083 • Fax 973-887-1940  
<http://www.potentiometers.com>