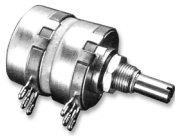


Commercial Potentiometers



Series K pg. 2



Series KK, KKK..... pg. 5



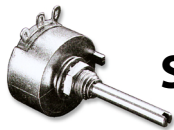
Series N pg. 9



Series S pg. 12



Series SPR..... pg. 15



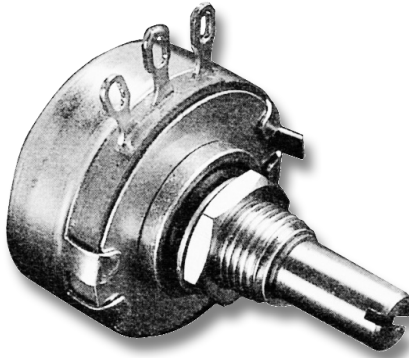
Series T pg. 18

For more information about these products,
visit our website at www.potentiometers.com

Series K - 2 Watt Carbon Potentiometer



For more information about this product, visit our website at: www.potentiometers.com



Series K potentiometers are suitable for commercial applications. They can easily be customized to meet special requirements. Some configurations are available as Mil Spec Type RV4.

Features

- Hot molded carbon element standard
- Gold plated terminals
- Stainless steel shaft and housing
- Dual units, see **Series KK, KKK** pg. 5

Options:

- Custom shafts and bushings
- Special tapers
- Fourth (center) terminal
- High life
- Conductive Plastic element available

Electrical Specifications

Resistance Range-linear taper: 50 ohms to 5 megohms
Resistance Range-logarithmic taper: 150 ohms to 1 megohm
Resistance Tolerance: $\pm 10\%$ or $\pm 20\%$
Resistance Taper: linear, logarithmic, reverse logarithmic
(other tapers by special order)
Power Rating: 2 watts @ 70 °C derated to 0 watts @ 120 °C
Insulation Resistance: 10K Megohms (dry); 100K Megohms (wet)
Dielectric Strength: 900 V RMS at sea level
Operating Voltage: 500 V (subject to power rating)

Mechanical Specifications

Mechanical Rotation: 314°
Operating Torque: 1 oz/in to 6 oz/in
Rotational Life: 25,000 cycles

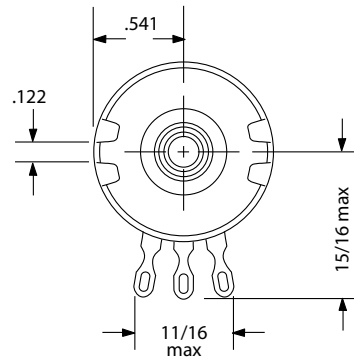
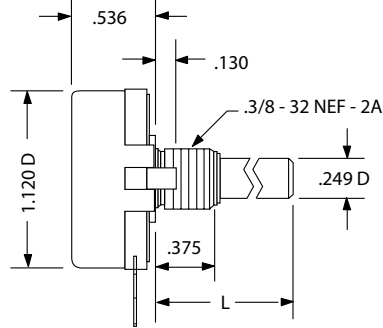
Environmental Specifications

Operating Temperature: -65 °C to +125 °C
Soldering Heat Resistance: 350 °C (5 seconds)
Humidity Range: per Mil-R-94
Vibration Range: per Mil-R-94
Shock Resistance: per Mil-R-94
Load Life: 1000 hr at 70 °C

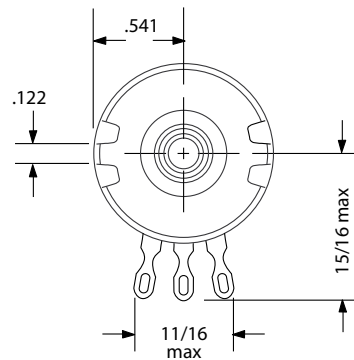
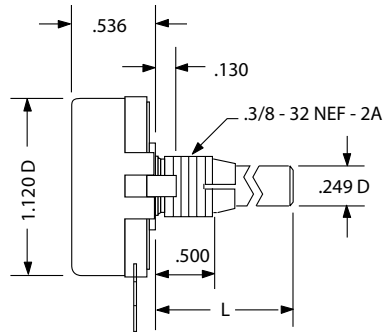
Series K - 2 Watt Carbon Potentiometer



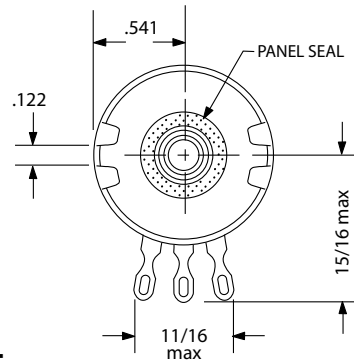
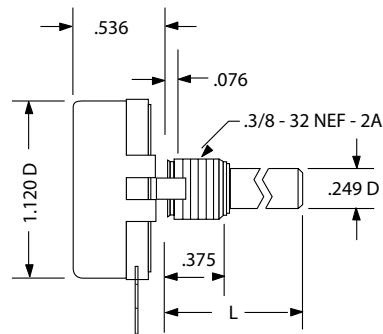
Standard Configuration



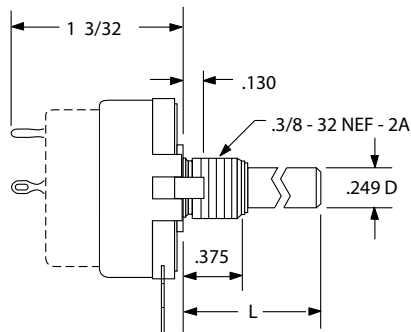
Locking Bushing



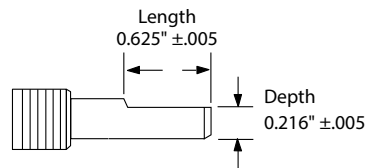
Panel Seal



With SPST Switch

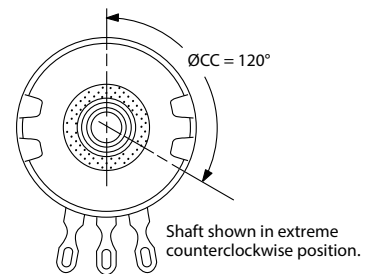


Flatted Shaft



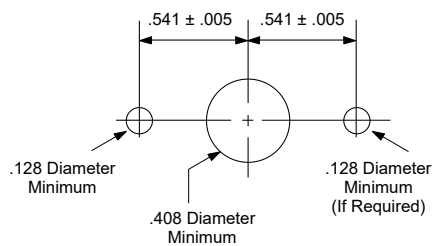
Notes:

1. Flatted Shaft is not available with Locking or Shaft Seal Options
2. Flat will extend to within 0.031 (0.79) of mounting bushing where shaft length will not permit standard flat.

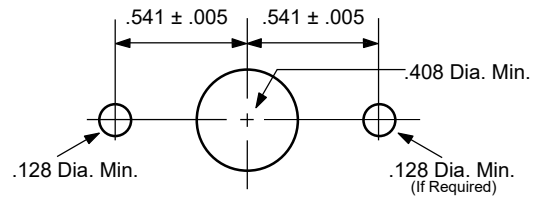


Series K - 2 Watt Carbon Potentiometer

Panel Mounting Holes



Mounting dimensions for units with plain bushings, shaft watertight bushings, and locking bushings



Mounting dimensions for units with panel watertight bushings

Ordering Information - Commercial Part Numbers

Carbon element standard.

Conductive Plastic available in some configurations. Contact sales rep for information.

Series	Bushing	Switch	Taper	Resistance Value:	Tolerance:	Shaft Style:	Shaft Length:
K = Series K	blank = Std. L = Locking W = Panel & Shaft Seal	blank = No Switch S = SPST Switch	U = Linear A = Log B = Rev. Log	Total Resistance Value in Ohms: First 2 numbers are significant digits, 3rd number is the number of zeros.	1 = 10% of Nominal 2 = 20% of Nominal	R = Round S = Slotted F = Flatted	16 = 1/2" 20 = 5/8" 24 = 3/4" 28 = 7/8" 32 = 1" 40 = 1 1/4" 48 = 1 1/2" 64 = 2" 80 = 2 1/2" 96 = 3"

Example Part Number: KSU1031R16

Note: not all part number combinations are valid.

Ordering Information - Military Part Numbers

Carbon or Conductive Plastic element available

Style	Bushing	Switch	Temperature and Moisture Characteristics:	Shaft Style:	Shaft Length:	Resistance Value:	Taper and Tolerance:
RV4 = MIL style RV4	N = Standard L = Locking S = Panel & Shaft Seal	A = Without Switch B = SPST Switch	Y = as per MIL-R-94	S = Slotted F = Flatted	B = 1/2" A = 5/8" D = 7/8" G = 1 1/4" J = 2" K = 2 1/2"	Total Resistance Value in Ohms: First 2 numbers are significant digits, 3rd number is the number of zeros.	A = Linear ±10% B = Linear ±20% C = Log ±10% D = Log ±20% E = Rev. Log ±10% F = Rev. Log ±20%

Example Part Number: RV4NAYS103A

Note: not all part number combinations are valid.

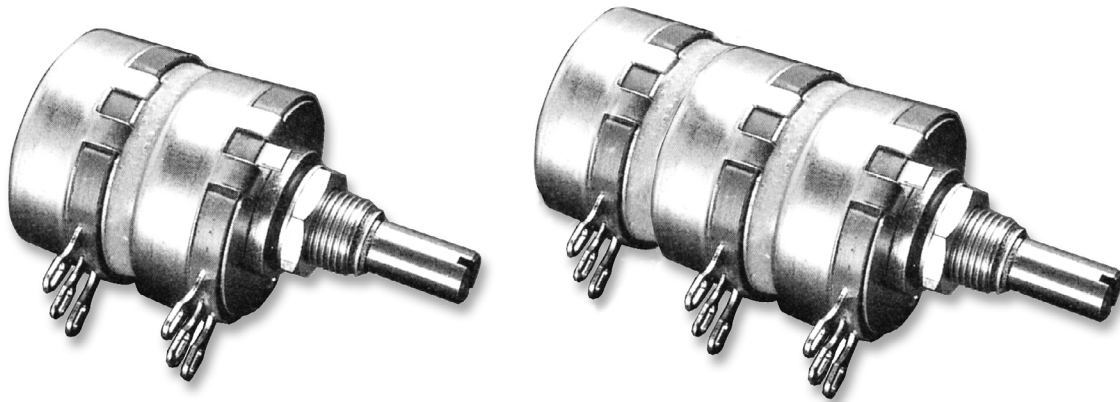
More options and combinations are available on commercial versions

For more information about this product, visit our website at: www.potentiometers.com



© State Electronics

36 State Route 10, STE 6 • East Hanover, NJ 07936-0436
973-887-2550 • Toll Free 1-800-631-8083 • Fax 973-887-1940
<http://www.potentiometers.com>



Series KK & Series KKK potentiometers are suitable for commercial applications requiring dual or triple elements. They can be customized to meet special requirements. Some configurations are available as Mil Spec Type 2RV7.

Features

- Hot molded carbon element standard
- Gold plated terminals
- Stainless steel shaft and housing

Options:

- Custom shafts and bushings
- Special tapers
- Fourth (center) terminal
- Concentric shafts
- Conductive Plastic element available

Electrical Specifications

Resistance Range-linear taper: 50 ohms to 5 megohms
Resistance Range-log taper: 150 ohms to 1 megohm
Resistance Tolerance: $\pm 10\%$ or $\pm 20\%$
Resistance Taper: linear, logarithmic, reverse logarithmic
(other tapers by special order)
Power Rating: 2 watts @ 70 °C derated to 0 watts @ 120 °C
Insulation Resistance: 10K Megohms (dry); 100K Megohms (wet)
Dielectric Strength: 900 V RMS at sea level
Operating Voltage: 500 V (subject to power rating)

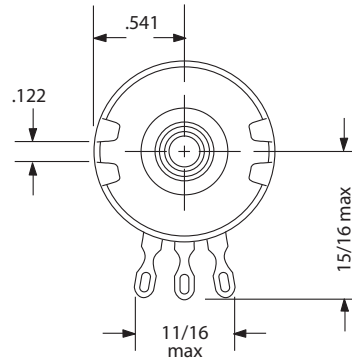
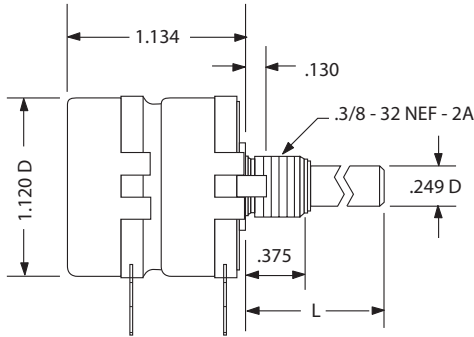
Mechanical Specifications

Mechanical Rotation: 314°
Operating Torque: 1 oz/in to 12 oz/in
Rotational Life: 25,000 cycles

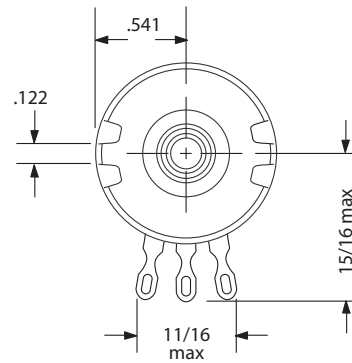
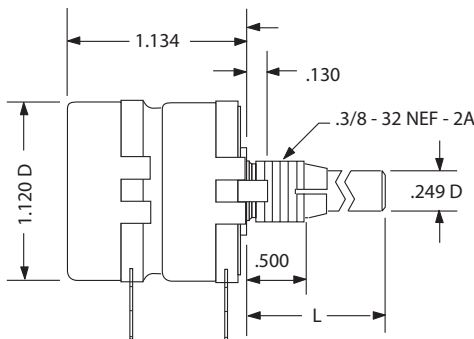
Environmental Specifications

Operating Temperature: -65 °C to +125 °C
Resistance to Soldering Heat: 350 °C to 5 seconds
Humidity Range: per Mil-R-94
Vibration Range: per Mil-R-94
Shock Resistance: per Mil-R-94
Load Life: 1000 hr at 70 °C

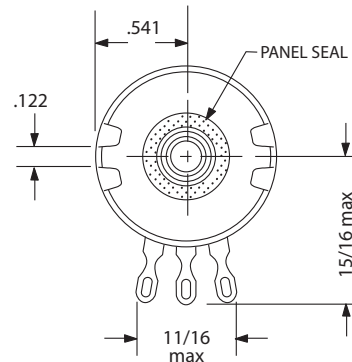
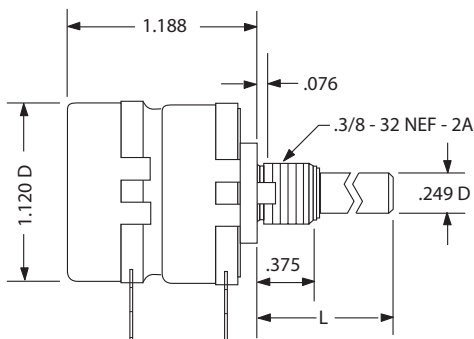
Standard Configuration



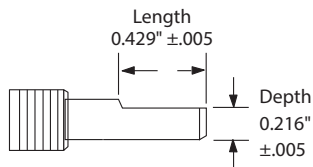
Locking Bushing



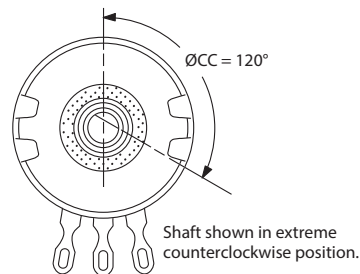
Panel Seal



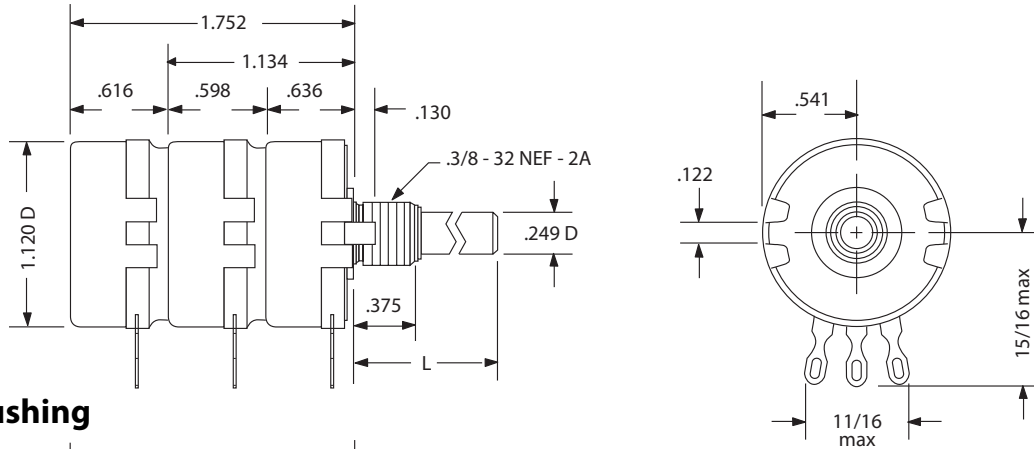
Flatted Shaft



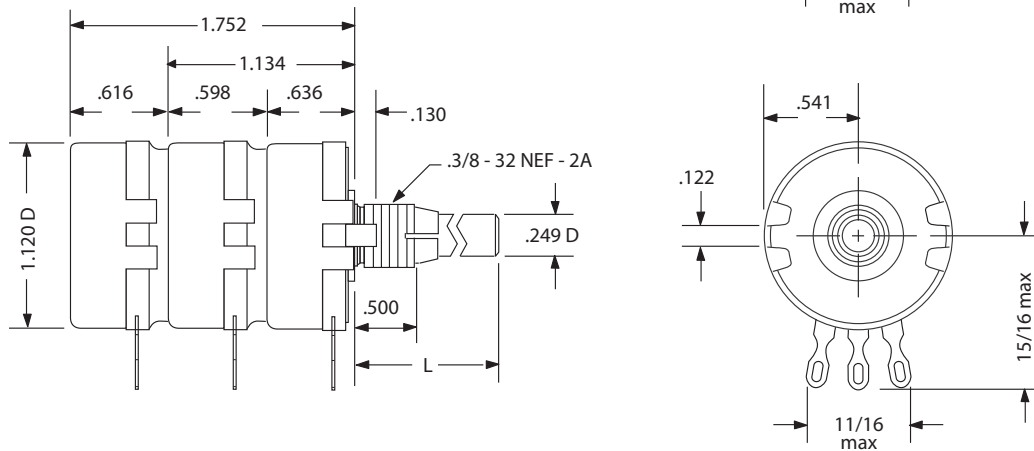
- Notes:**
1. Flatted Shaft is not available with Locking or Shaft Seal Options
 2. Flat will extend to within 0.031" (0.79) of mounting bushing where shaft length will not permit standard flat.



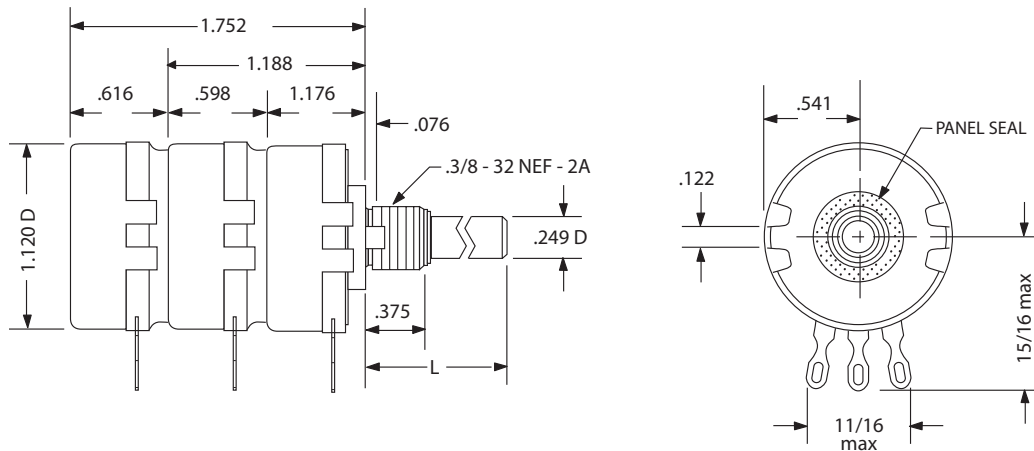
Standard Configuration



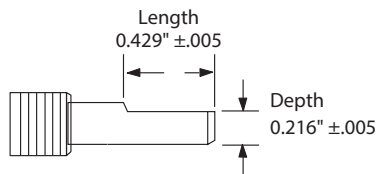
Locking Bushing



Panel Seal



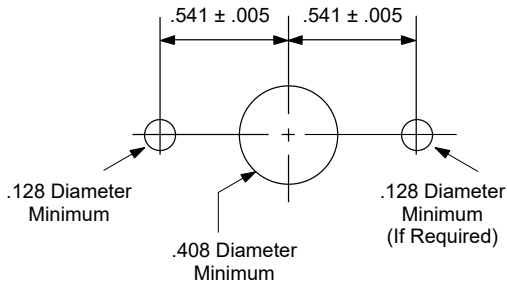
Flatted Shaft



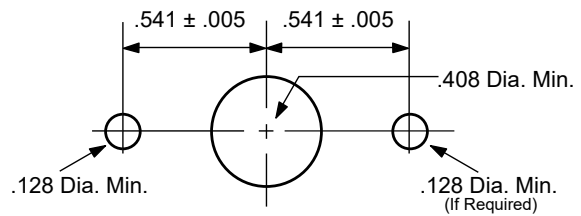
Note:
Flatted Shaft is not available
with Locking or Shaft Seal Options

Series KK, KKK - 2 Watt Carbon Potentiometers

Panel Mounting Holes



Mounting dimensions for units with plain bushings, shaft watertight bushings, and locking bushings



Mounting dimensions for units with panel watertight bushings

Ordering Information - Commercial Part Numbers

Carbon element standard.

Conductive Plastic available in some configurations. Contact sales rep for information.

Series	Bushing	Switch	Taper	Resistance Value:	Tolerance:	Shaft Style:	Shaft Length:
KK = Series KK - dual element KKK = Series KKK - triple element	blank = Stand. L = Locking W = Panel & Shaft Seal	blank = No Switch S = SPST Switch	U = Linear A = Log B = Rev. Log	Total Resistance Value in Ohms: First 2 numbers are significant digits, 3rd number is the number of zeros.	1 = 10% of Nominal 2 = 20% of Nominal	R = Round S = Slotted F = Flatted	16 = 1/2" 20 = 5/8" 24 = 3/4" 28 = 7/8" 32 = 1" 40 = 1 1/4" 48 = 1 1/2" 64 = 2" 80 = 2 1/2" 96 = 3"

Example Part Number: KKU1031S16

Note: A switch section, if selected, will be the second section for a KK unit, or the third section for a KKK unit

Note: not all part number combinations are valid.

Ordering Information - Military Part Numbers

Carbon or Conductive Plastic element available

Style	Bushing	Temperature and Moisture Characteristics:	Shaft Style:	Shaft Length:	Resistance Value:	Taper and Tolerance:
2RV7 = MIL style 2RV7	N = Standard L = Locking S = Panel & Shaft Seal	Y = as per MIL-R-94	S = Slotted F = Flatted	B = 1/2" A = 5/8" D = 7/8" G = 1 1/4" J = 2" K = 2 1/2"	Total Resistance Value in Ohms: First 2 numbers are significant digits, 3rd number is the number of zeros.	A = Linear ±10% B = Linear ±20% C = Log ±10% D = Log ±20% E = Rev. Log ±10% F = Rev. Log ±20%

Example Part Number: 2RV7NYS103103A

Note: not all part number combinations are valid.

More options and combinations are available on commercial versions

For more information about this product, visit our website at: www.potentiometers.com



© State Electronics

36 State Route 10, STE 6 • East Hanover, NJ 07936-0436

973-887-2550 • Toll Free 1-800-631-8083 • Fax 973-887-1940

<http://www.potentiometers.com>

Series N - 1 Watt Carbon Potentiometer



For more information about this product, visit our website at:
www.potentiometers.com



***Series N potentiometers are suitable for commercial applications.
They can be customized to meet special requirements.
Some configurations are available as Mil Spec Type RV2.***

Features

- Hot molded carbon element
- Gold plated terminals
- One piece brass housing
- Stainless steel shaft

Options:

- Custom shafts and bushings
- Special tapers
- Conductive Plastic element option in some configurations

Electrical Specifications

Resistance Range

- linear taper: 100 ohms to 5 megohms
- log taper: 150 ohm to 1 meg

Resistance Tolerance: $\pm 10\%$ or $\pm 20\%$

Resistance Taper: linear, logarithmic, reverse logarithmic
(other tapers by special order)

Power Rating: 1 watt @ 70 °C derated to 0 watts @ 120 °C

Insulation Resistance: dry-10K Meg: wet-100K Meg

Dielectric Strength: 900 V RMS at sea level

Operating Voltage: 500 V subject to power rating

Mechanical Specifications

Mechanical Rotation: 300°

Operating Torque: 1 oz/in to 6 oz/in

Rotational Life: 25,000 cycles

Environmental Specifications

Operating Temperature: -65 °C to +125 °C

Resistance to Soldering Heat: 350 °C to 5 seconds

Humidity Range: per Mil-R-94

Vibration Range: per Mil-R-94

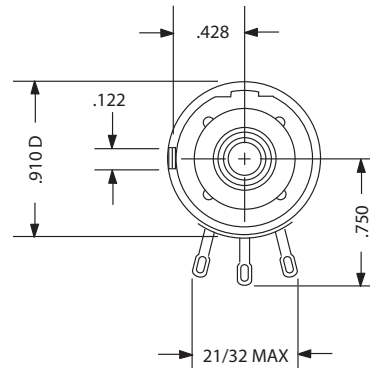
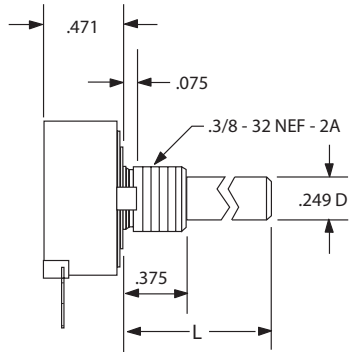
Shock Resistance: per Mil-R-94

Load Life: 1000 hr at 70 °C

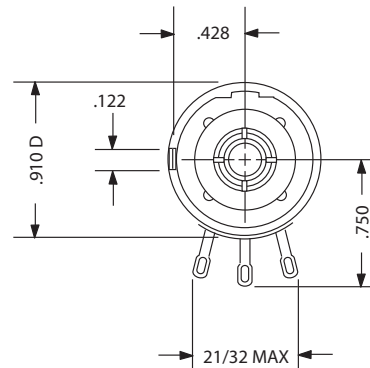
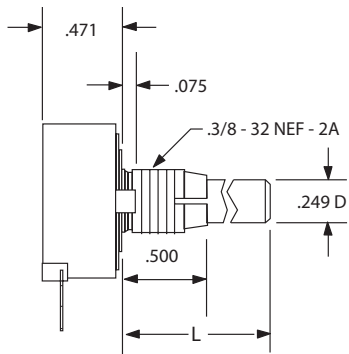
Series N - 1 Watt Carbon Potentiometer



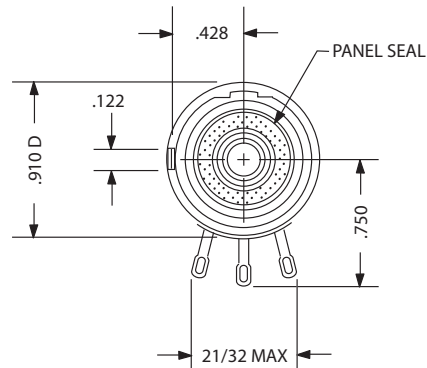
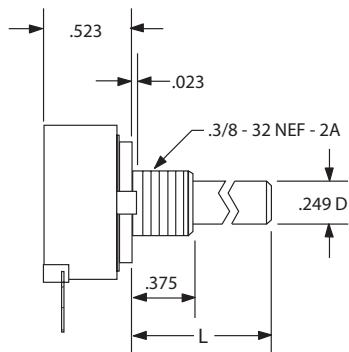
Standard Configuration



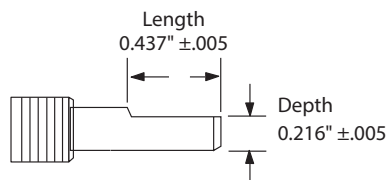
Locking Bushing



Panel Seal



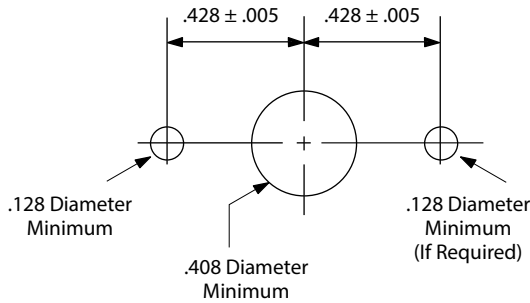
Flatted Shaft



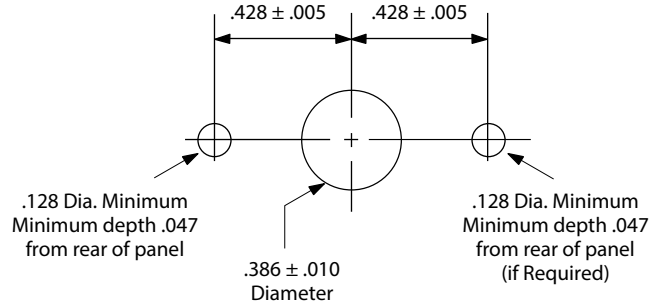
.Note:
Flatted Shaft is not available
with Locking Option

Series N - 1 Watt Carbon Potentiometer

Panel Mounting Holes



Mounting dimensions for units with plain bushings, shaft watertight bushings, and locking bushings



Mounting dimensions for units with panel watertight bushings

Ordering Information - Commercial Part Numbers

Carbon element standard.

Conductive Plastic available in some configurations. Contact sales rep for information.

Series	Bushing	Switch	Taper	Resistance Value:	Tolerance:	Shaft Style:	Shaft Length:
N = Series N	blank = Std. L = Locking W = Panel & Shaft Seal	blank = No Switch S = SPST Switch	U = Linear A = Log B = Rev. Log	Total Resistance Value in Ohms: First 2 numbers are significant digits, 3rd number is the number of zeros.	1 = 10% of Nominal 2 = 20% of Nominal	R = Round S = Slotted F = Flatted	16 = 1/2" 20 = 5/8" 24 = 3/4" 28 = 7/8" 32 = 1" 40 = 1 1/4"

Example Part Number: NLA7511S28

Note: not all part number combinations are valid.

Ordering Information - Military Part Numbers

Carbon or Conductive Plastic element available

Style	Bushing	Switch	Temperature and Moisture Characteristics:	Shaft Style:	Shaft Length:	Resistance Value:	Taper and Tolerance:
RV2 = MIL style RV2	N = Standard L = Locking S = Panel & Shaft Seal	A = Without Switch B = SPST Switch	Y = as per MIL-R-94	S = Slotted F = Flatted	B = 1/2" A = 5/8" D = 7/8" G = 1 1/4" J = 2" K = 2 1/2"	Total Resistance Value in Ohms: First 2 numbers are significant digits, 3rd number is the number of zeros.	A = Linear ±10% B = Linear ±20% C = Log ±10% D = Log ±20% E = Rev. Log ±10% F = Rev. Log ±20%

Example Part Number: RV2NAYS103A

Note: not all part number combinations are valid.

More options and combinations are available on commercial versions

For more information about this product, visit our website at: www.potentiometers.com



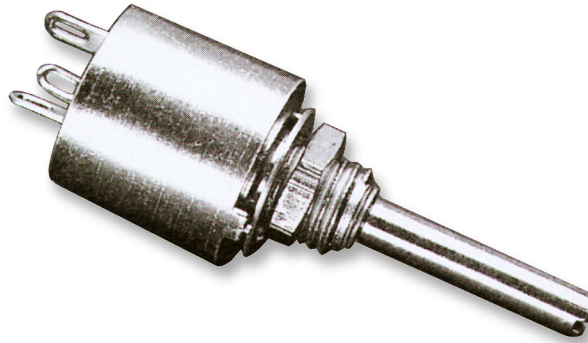
© State Electronics

36 State Route 10, STE 6 • East Hanover, NJ 07936-0436
973-887-2550 • Toll Free 1-800-631-8083 • Fax 973-887-1940
<http://www.potentiometers.com>

Series S - 1/2 Watt Carbon Potentiometer



For more information about this product, visit our website at: www.potentiometers.com



Series S potentiometers are suitable for applications requiring high reliability and a compact size. Some configurations are available as Mil Spec Type RV6.

Features

- Hot molded carbon element
- One piece brass housing and bushing
- Stainless steel shaft
- Compact size

Options:

- Special tapers
- Custom shafts and bushings
- Customer specified marking
- Conductive Plastic element available

Electrical Specifications

Resistance Range

- linear taper: 100 ohms to 5 megohms
- log taper: 150 ohm to 1 meg

Resistance Tolerance: $\pm 10\%$ or $\pm 20\%$

Resistance Taper: linear, logarithmic, reverse logarithmic (other tapers by special order)

Power Rating: .5 watt @ 70 °C derated to 0 watts @ 120 °C

Insulation Resistance: dry-10K Meg; wet-100K Meg

Dielectric Strength: 750 V RMS at sea level

Operating Voltage: 350 V subject to power rating

Mechanical Specifications

Mechanical Rotation: 295°

Operating Torque: .5 oz/in to 6 oz/in

Rotational Life: 25,000 cycles

Environmental Specifications

Operating Temperature: -65 °C to +125 °C

Resistance to Soldering Heat: 350 °C to 5 seconds

Humidity Range: per Mil-R-94

Vibration Range: per Mil-R-94

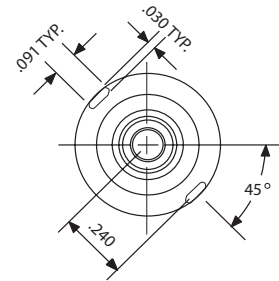
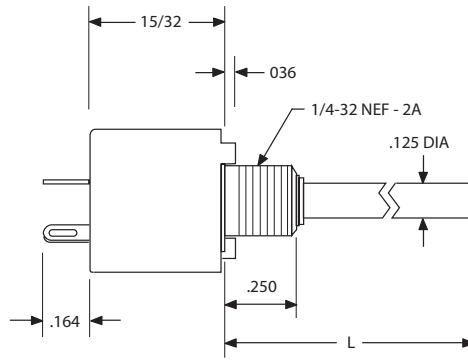
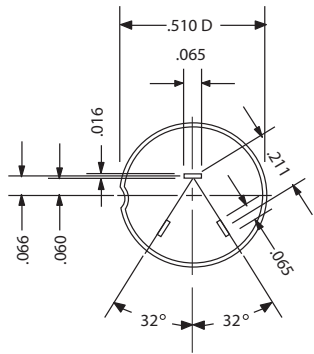
Shock Resistance: per Mil-R-94

Load Life: 1000 hr at 70 °C

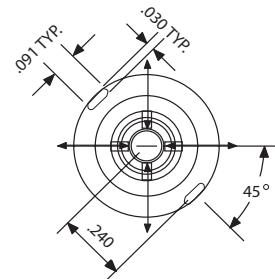
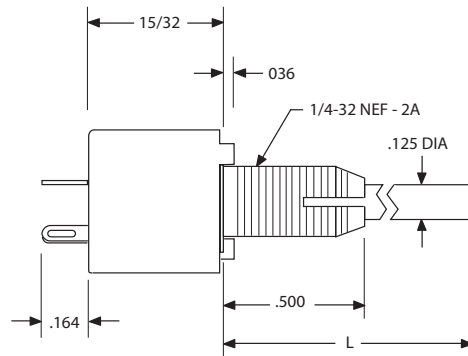
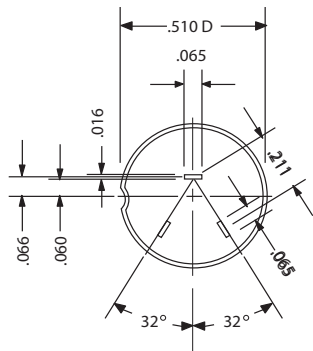
Series S - 1/2 Watt Carbon Potentiometer



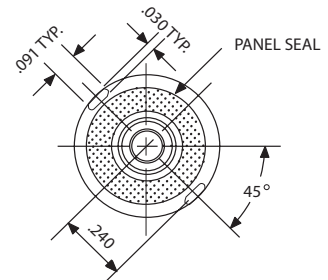
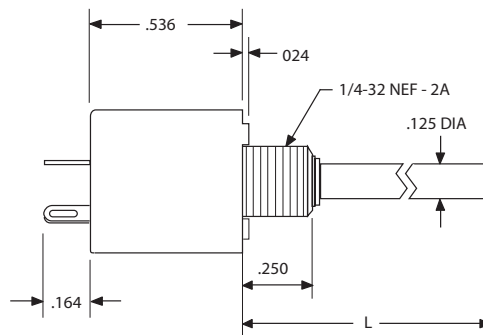
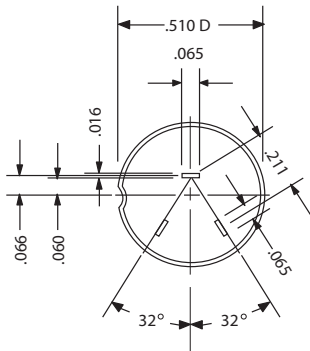
Standard Configuration



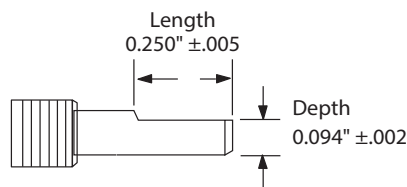
Locking Bushing



Panel Seal



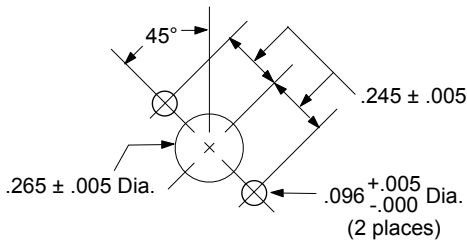
Flatted Shaft



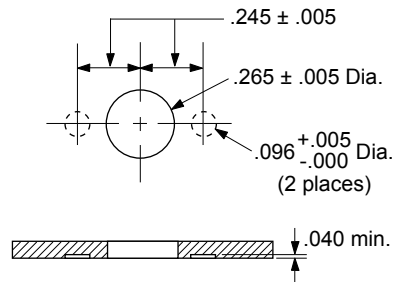
.Note:
Flatted Shaft is not available if
Locking Option is selected.

Series S - 1/2 Watt Carbon Potentiometer

Panel Mounting Holes



Mounting dimensions for units with plain bushings, shaft watertight bushings, and locking bushings



Mounting dimensions for panel watertight units

Ordering Information - Commercial Part Numbers

Carbon element standard.

Conductive Plastic available in some configurations. Contact sales rep for information.

Series	Bushing	Bushing Length:	Taper	Resistance Value:	Tolerance:	Shaft Style:	Shaft Length:
S = Series S	blank = Std. L = Locking W = Panel & Shaft Seal	blank = 1/4" 6 = 3/8"	U = Linear A = Log B = Rev. Log	Total Resistance Value in Ohms: First 2 numbers are significant digits, 3rd number is the number of zeros.	1 = 10% of Nominal 2 = 20% of Nominal	R = Round S = Slotted F = Flatted	16 = 1/2" 20 = 5/8" 24 = 3/4" 28 = 7/8" 32 = 1" 36 = 1 1/8"

Example Part Number: SLA1031S20

Note: not all part number combinations are valid.

Ordering Information - Military Part Numbers

Carbon or Conductive Plastic element available

Style	Bushing	Switch	Temperature and Moisture Characteristics:	Shaft Style:	Shaft Length:	Resistance Value:	Taper and Tolerance:
RV6 = MIL style RV6	N = Standard L = Locking S = Panel & Shaft Seal	A = Without Switch	Y = as per MIL-R-94	S = Slotted F = Flatted	L = 3/8" B = 1/2" A = 5/8" D = 7/8"	Total Resistance Value in Ohms: First 2 numbers are significant digits, 3rd number is the number of zeros.	A = Linear ±10% B = Linear ±20% C = Log ±10% D = Log ±20% E = Rev. Log ±10% F = Rev. Log ±20%

Example Part Number: RV6LAYSB103A

Note: not all part number combinations are valid.

More options and combinations are available on commercial versions

For more information about this product, visit our website at: www.potentiometers.com



© State Electronics

36 State Route 10, STE 6 • East Hanover, NJ 07936-0436
973-887-2550 • Toll Free 1-800-631-8083 • Fax 973-887-1940
<http://www.potentiometers.com>

Series SPR - 1/2 Watt Carbon Potentiometer



For more information about this product, visit our website at: www.potentiometers.com

Series SPR potentiometers are for PCB applications requiring a rugged potentiometer. Some configurations are available as Mil Spec Type RV8.

Features

- Hot molded carbon element
- Board washable
- Stainless steel shaft
- Compact size

Options:

- Special tapers
- Custom shafts and bushings
- Location tab position
- Customer specified marking
- Conductive Plastic element available

Electrical Specifications

Resistance Range

- linear taper: 100 ohms to 5 megohms
- log taper: 150 ohm to 1 meg

Resistance Tolerance: $\pm 10\%$ or $\pm 20\%$

Resistance Taper: linear, logarithmic, reverse logarithmic (other tapers by special order)

Power Rating: .5 watt @ 70 °C derated to 0 watts @ 120 °C

Insulation Resistance: dry-10K Meg: wet-100K Meg

Dielectric Strength: 750 V RMS at sea level

Operating Voltage: 350 V subject to power rating

Mechanical Specifications

Mechanical Rotation: 295°

Operating Torque: .5 oz/in to 6 oz/in

Rotational Life: 25,000 cycles

Environmental Specifications

Operating Temperature: -65 °C to +125 °C

Resistance to Soldering Heat: 350 °C to 5 seconds

Humidity Range: per Mil-R-94

Vibration Range: per Mil-R-94

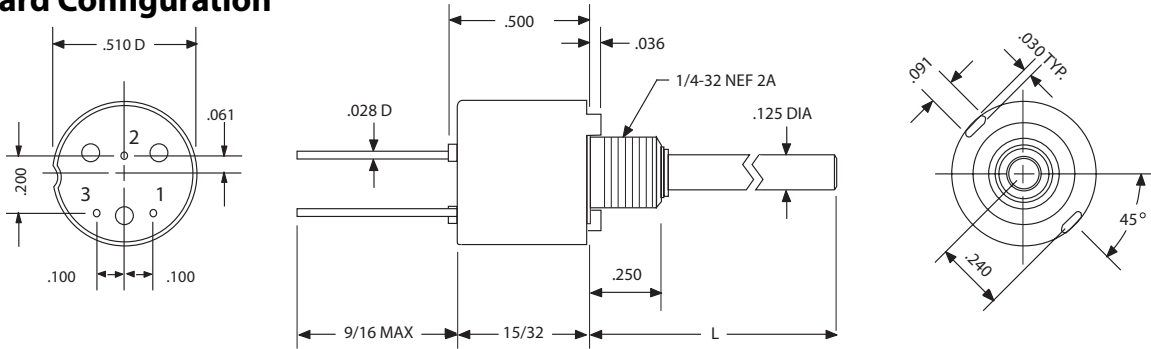
Shock Resistance: per Mil-R-94

Load Life: 1000 hr at 70 °C

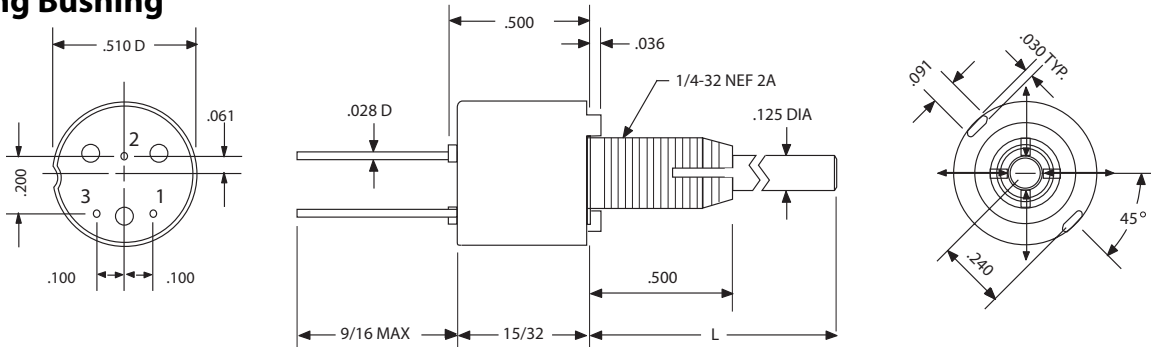
Series SPR - 1/2 Watt Carbon Potentiometer



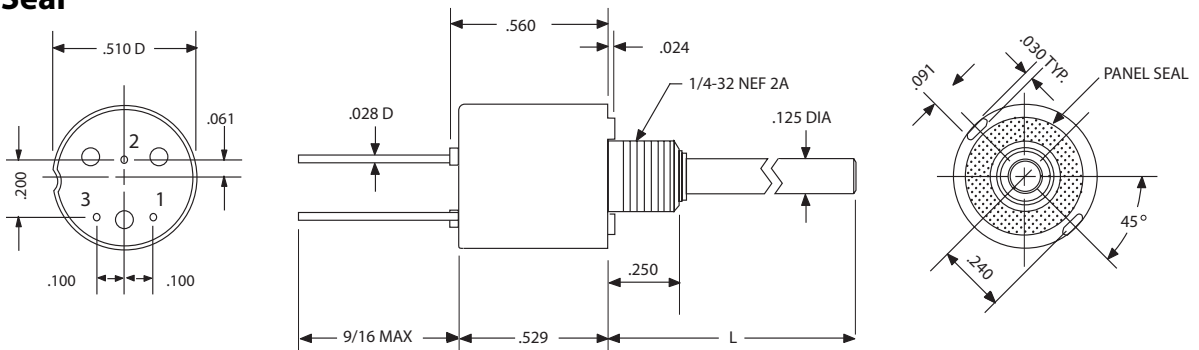
Standard Configuration



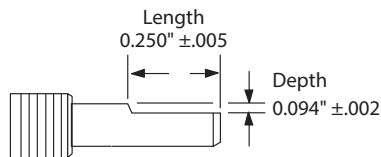
Locking Bushing



Panel Seal



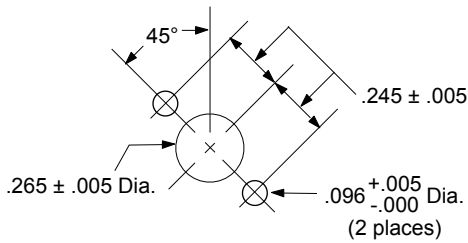
Flatted Shaft



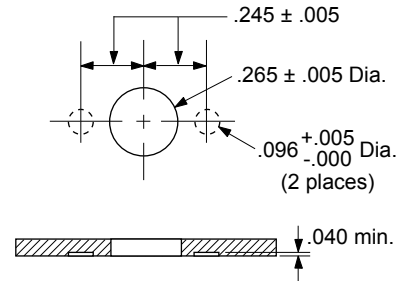
Note:
Flatted Shaft is not available if
Locking Option is selected.

Series S - 1/2 Watt Carbon Potentiometer

Panel Mounting Holes



Mounting dimensions for units with plain bushings, shaft watertight bushings, and locking bushings



Mounting dimensions for panel watertight units

Ordering Information - Commercial Part Numbers

Carbon element standard.

Conductive Plastic available in some configurations. Contact sales rep for information.

Series	Bushing	Bushing Length:	Taper	Resistance Value:	Tolerance:	Shaft Style:	Shaft Length:
SPR = Series SPR	blank = Std. L = Locking W = Panel & Shaft Seal	blank = 1/4" 6 = 3/8"	U = Linear A = Log B = Rev. Log	Total Resistance Value in Ohms: First 2 numbers are significant digits, 3rd number is the number of zeros.	1 = 10% of Nominal 2 = 20% of Nominal	R = Round S = Slotted F = Flatted	16 = 1/2" 20 = 5/8" 24 = 3/4" 28 = 7/8" 32 = 1"

Example Part Number: SPRU2521R20

Note: not all part number combinations are valid.

Ordering Information - Military Part Numbers

Carbon or Conductive Plastic element available

Style	Bushing	Switch	Temperature and Moisture Characteristics:	Shaft Style:	Shaft Length:	Resistance Value:	Taper and Tolerance:
RV8 = MIL style RV8	N = Standard L = Locking S = Panel & Shaft Seal	A = Without Switch	Y = as per MIL-R-94	S = Slotted F = Flatted	L = 3/8" B = 1/2" A = 5/8" D = 7/8"	Total Resistance Value in Ohms: First 2 numbers are significant digits, 3rd number is the number of zeros.	A = Linear ±10% B = Linear ±20% C = Log ±10% D = Log ±20% E = Rev. Log ±10% F = Rev. Log ±20%

Example Part Number: RV8NAYS103A

Note: not all part number combinations are valid.

More options and combinations are available on commercial versions

For more information about this product, visit our website at: www.potentiometers.com



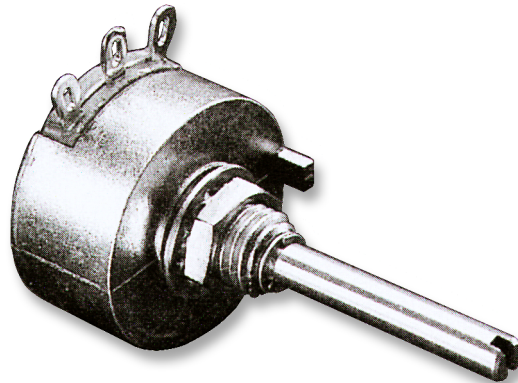
© State Electronics

36 State Route 10, STE 6 • East Hanover, NJ 07936-0436
973-887-2550 • Toll Free 1-800-631-8083 • Fax 973-887-1940
<http://www.potentiometers.com>

Series T - 1/2 Watt Carbon Potentiometer



For more information about this product, visit our website at: www.potentiometers.com



Series T potentiometers provide a low profile with lateral lug terminals. Some configurations are available as Mil Spec Type RV5.

Features

- Hot molded carbon element
- One piece housing and bushing
- Stainless steel shaft

Options:

- Special tapers
- Custom shafts
- Customer specified marking
- Conductive Plastic element available

Electrical Specifications

Resistance Range

- linear taper: 100 ohms to 5 megohms
- log taper: 150 ohm to 1 meg

Resistance Tolerance: $\pm 10\%$ or $\pm 20\%$

Resistance Taper: linear, logarithmic, reverse logarithmic

(other tapers by special order)

Power Rating: .5 watt @ 70 °C derated to 0 watts @ 120 °C

Insulation Resistance: dry-10K Meg: wet-100K Meg

Dielectric Strength: 900 V RMS at sea level

Operating Voltage: 350 V subject to power rating

Mechanical Specifications

Mechanical Rotation: 300°

Operating Torque: 1 oz/in to 6 oz/in

Rotational Life: 25,000 cycles

Environmental Specifications

Operating Temperature: -65 °C to +125 °C

Resistance to Soldering Heat: 350 °C to 5 seconds

Humidity Range: per Mil-R-94

Vibration Range: per Mil-R-94

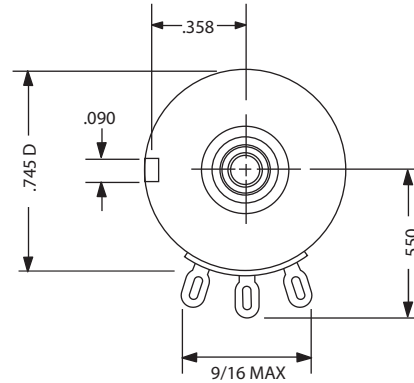
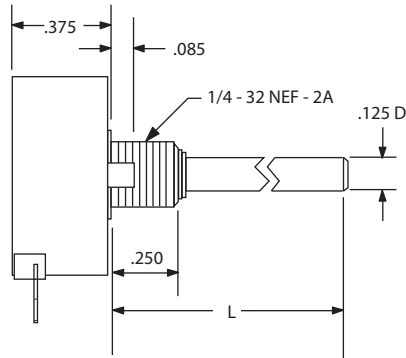
Shock Resistance: per Mil-R-94

Load Life: 1000 hr at 70 °C

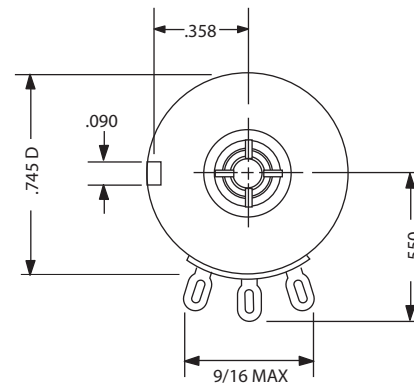
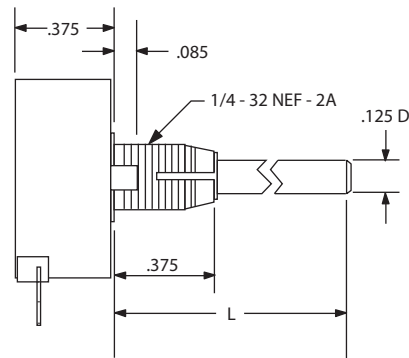
Series T - 1/2 Watt Carbon Potentiometer



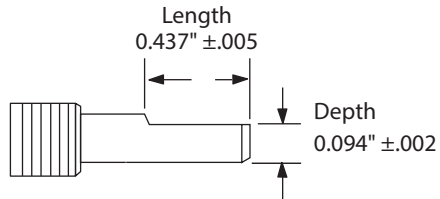
Standard Configuration



Locking Bushing



Flatted Shaft

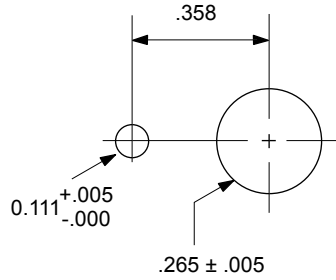


Note:
Flatted Shaft is not available if
Locking Option is selected.

Series T - 1/2 Watt Carbon Potentiometer



Panel Mounting Holes



Mounting dimensions for standard potentiometer

Ordering Information - Commercial Part Numbers

Carbon element standard.

Conductive Plastic available in some configurations. Contact sales rep for information.

Series	Bushing	Bushing Length:	Taper	Resistance Value:	Tolerance:	Shaft Style:	Shaft Length:
T = Series T	blank = Std. L = Locking	blank = 1/4"	U = Linear A = Log B = Rev. Log	Total Resistance Value in Ohms: First 2 numbers are significant digits, 3rd number is the number of zeros.	1 = 10% of Nominal 2 = 20% of Nominal	R = Round S = Slotted F = Flatted	16 = 1/2" 20 = 5/8" 24 = 3/4" 28 = 7/8"

Example Part Number: TU5021S28

Note: not all part number combinations are valid.

Ordering Information - Military Part Numbers

Carbon or Conductive Plastic element available

Style	Bushing	Switch	Temperature and Moisture Characteristics:	Shaft Style:	Shaft Length:	Resistance Value:	Taper and Tolerance:
RV5 = MIL style RV5	N = Standard L = Locking	A = Without Switch	Y = as per MIL-R-94	S = Slotted	L = 3/8" B = 1/2" A = 5/8" D = 7/8"	Total Resistance Value in Ohms: First 2 numbers are significant digits, 3rd number is the number of zeros.	A = Linear ±10% B = Linear ±20% C = Log ±10% D = Log ±20% E = Rev. Log ±10% F = Rev. Log ±20%

Example Part Number: RV5NAYS103A

Note: not all part number combinations are valid.

More options and combinations are available on commercial versions

For more information about this product, visit our website at: www.potentiometers.com