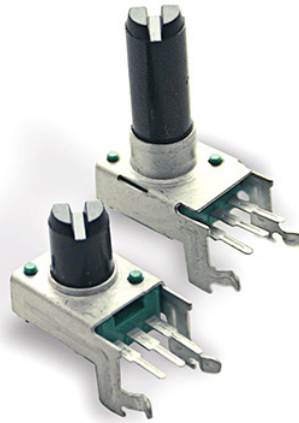


MODEL P090
9mm Rotary Potentiometer
Insulated Shaft
Conductive Plastic Element
100,000 Cycle Life
Snap-in Clip
RoHS Compliant



For more information about this product, visit our website at:
www.potentiometers.com

Model Styles

Side Adjust	P090L
Top Adjust	P090S

Electrical Specifications

Resistance Range, Ohms	500 – 1M
Standard Resistance Tolerance	± 20%
Residual Resistance	20 ohms max.
Input Voltage, maximum	50 Vac max.
Power rating, Watts	0.03W
Dielectric Strength	250Vac, 1 minute
Insulation Resistance, Minimum	100M ohms at 250Vdc
Sliding Noise	100mV max.
Actual Electrical Travel, Nominal	240°

Mechanical Specifications

Total Mechanical Travel	280°± 10°
Static Stop Strength	40 oz-in
Rotational Torque	0.5 to 1.25 oz-in

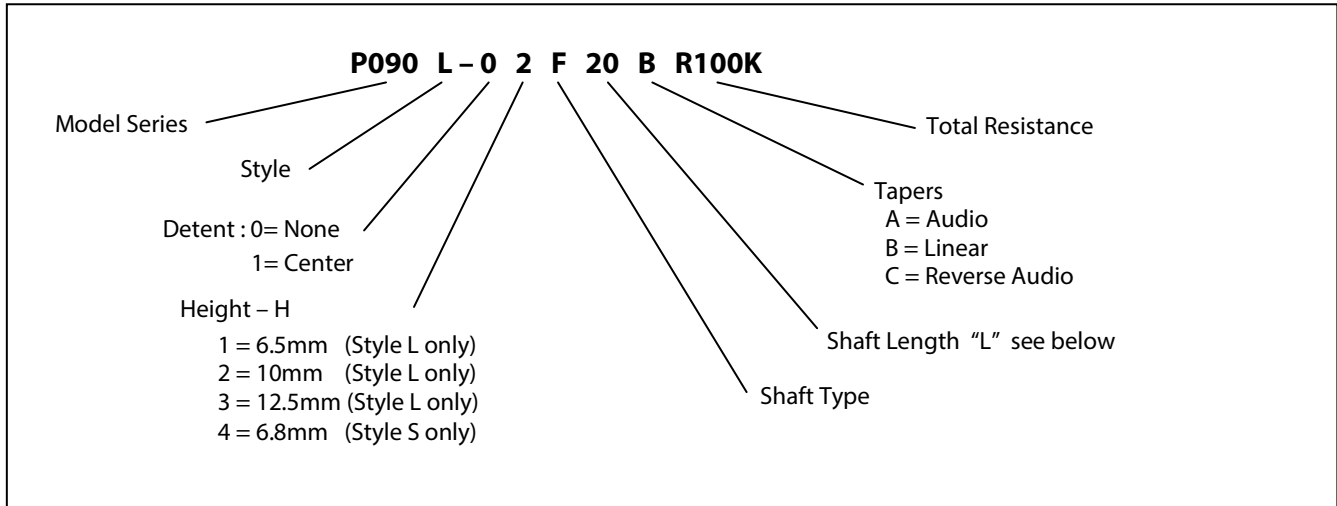
Environmental Specifications

Operating Temperature Range	-20°C to +70°C
Rotational Life	100,000 cycles

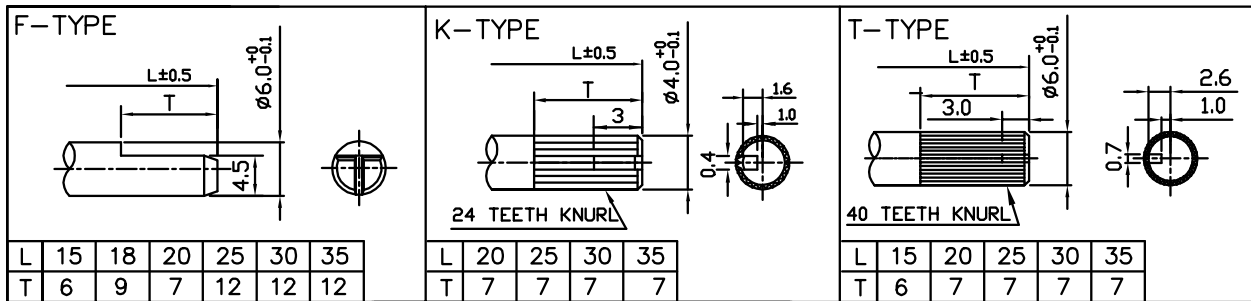
Specifications subject to change without notice.

MODEL P090

Ordering Information



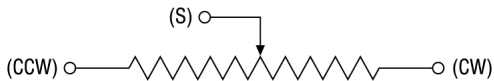
Shaft Type



Standard Resistance Values, Ohms

500 1K 2K 5K 10K 20K 50K 100K 200K 500K 1MEG

Standard Resistance Values, Ohms



Taper Curves

