

**MODEL P230**  
**24mm Rotary Potentiometer**  
**Conductive Plastic Element**  
**500,000 Cycle Life**  
**Metal Shaft**  
**SPST Switch Option**  
**Brass Bushing**  
**RoHS Compliant**



For more information about this product, visit our website at:  
[www.potentiometers.com](http://www.potentiometers.com)

**Model Styles**

Side Adjust, Solder Lugs	P230
--------------------------	------

**Electrical Specifications**

Resistance Range, Ohms	500-1M
Standard Resistance Tolerance	± 20%
Residual Resistance	20 ohms max.
Input Voltage, maximum	500 Vac max.
Power rating, Watts	0.5W- B taper, 0.25W-others
Switch Option (page 4)	SPST, 125VAC, .05 watts
Dielectric Strength	500Vac, 1 minute
Insulation Resistance, Minimum	100M ohms at 250Vdc
Sliding Noise	100mV max.
Actual Electrical Travel, Nominal	260°

**Mechanical Specifications**

Total Mechanical Travel	300°± 10°
Static Stop Strength	70 oz-in
Rotational Torque, Maximum	1.0 oz-in

**Environmental Specifications**

Operating Temperature Range	-20°C to +70°C
Rotational Life	500,000 cycles

Specifications subject to change without notice.

# MODEL P230

## Ordering Information

**P230 - 1 F C 20 B R100K**

Model Series ———— P230

Bushing Length "M" ———— 1  
1 = 6.5mm  
2 = 9.5mm  
3 = 11mm

Shaft Type ———— F C

Full CCW Shaft Position: see below ————

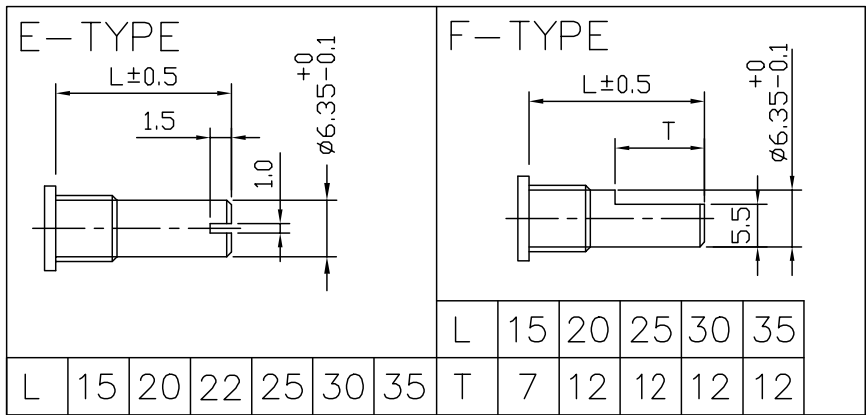
Shaft Length "L" see below ———— 20

Tapers ———— B  
A = Audio  
B = Linear  
C = Reverse Audio

Total Resistance ———— R100K

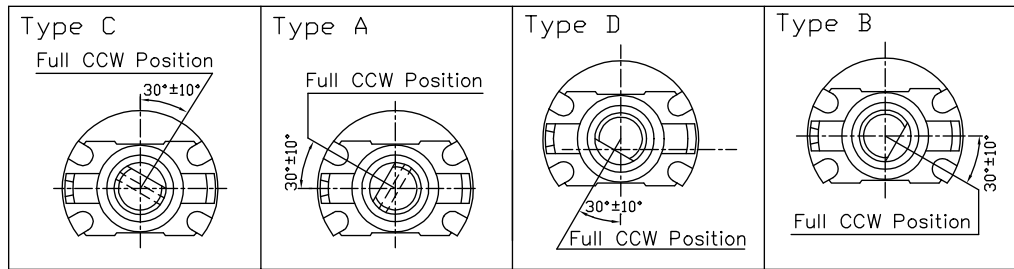
Combinations with a switch will be assigned a special part number

### Shaft Types



### Shaft Position (F-Type Shaft)

Dashed lines on Type "C" and Type "A" shows position of adjustment slot for E-Type shaft

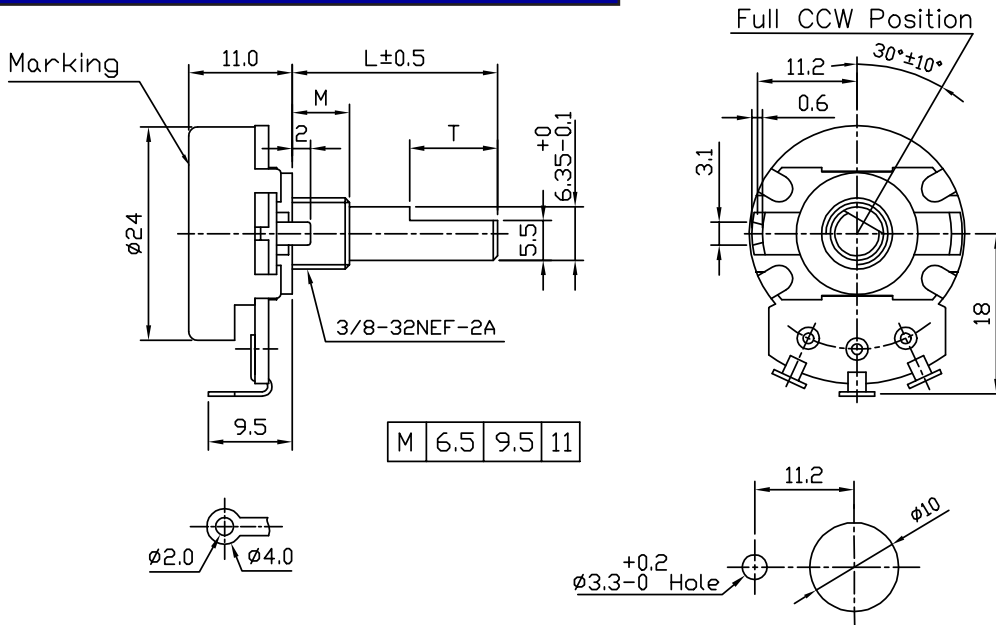


## Standard Resistance Values, Ohms

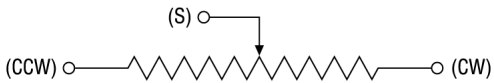
500 1K 2K 5K 10K 20K 50K 100K 200K 500K 1MEG

# MODEL P230

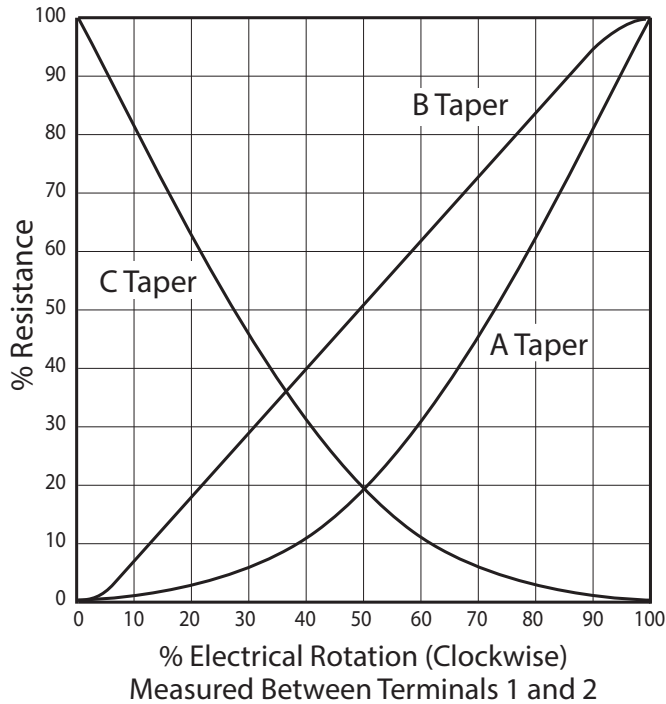
## Outline Drawing



## Circuit Diagram



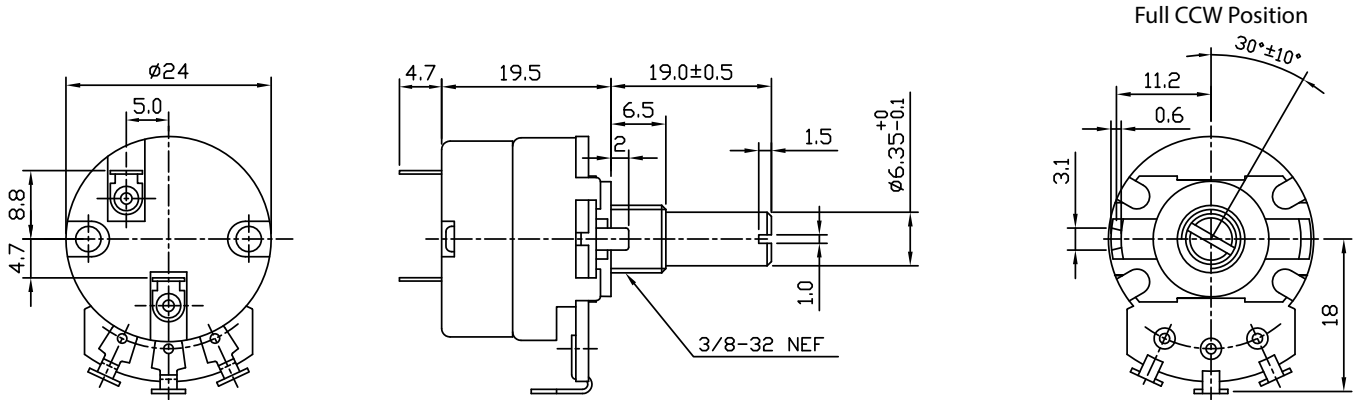
## Taper Curves



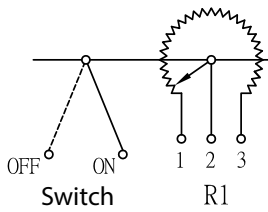
© State Electronics  
 36 State Route 10, STE 6 • East Hanover, NJ 07936-0436  
 973-887-2550 • Toll Free 1-800-631-8083 • Fax 973-887-1940  
<http://www.potentiometers.com>

# MODEL P230 - with SPST Switch Option

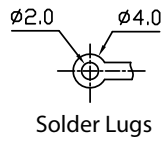
## Outline Drawing



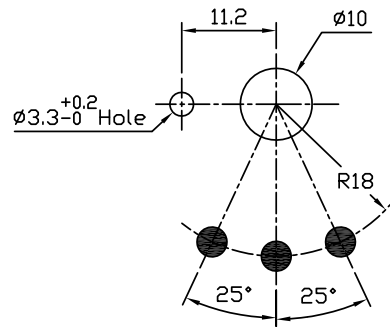
## Circuit Diagram



Circuit



Solder Lugs



Switch Option has a 1,000 piece minimum order.

For more information about this product,  
 visit our website at:  
[www.potentiometers.com](http://www.potentiometers.com)