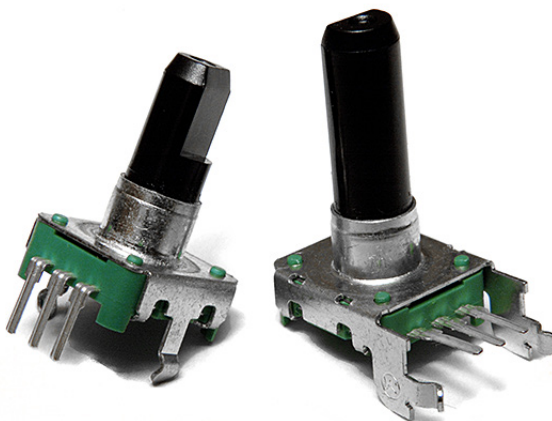


MODEL EN12
12mm Rotary Encoder
2 Bits Gray Code
Incremental/Contacting Type
Metal Bushing/Plastic Shaft
Push-on Switch Option
RoHS Compliant



For more information about this product, visit our website at:
www.potentiometers.com



Model Styles

| | |
|-----------------------------|---------|
| Top Adjust, with Switch | EN12-HS |
| Top Adjust, without Switch | EN12-HN |
| Side Adjust, with Switch | EN12-VS |
| Side Adjust, without Switch | EN12-VN |

Electrical Specifications

| | |
|-----------------------------------|--------------------------|
| Pulses (Per Revolution) | 12 & 24 |
| Closed Circuit Resistance, Ohms | 3 Ohms, max. |
| Contact Rating | 1mA/ 5Vdc |
| Operating Current, Maximum | 1mA |
| Dielectric Strength | 300Vac/ 1mA, 1 minute |
| Insulation Resistance, Minimum | 100M ohms at 250Vdc/ 1mA |
| Sliding Noise (at 60 RPM) | 2.0ms max. |
| Contact Bounce (at 15 RPM) | 5.0ms max. |
| Operating Speed (RPM) | 100 RPM max. |
| Switch Power Rating 10mA/ | 5Vdc |
| Switch Contact Resistance 100 | milliohms |
| Actual Electrical Travel, Nominal | Continuous |

Mechanical Specifications

| | |
|--------------------------------------|------------|
| Total Mechanical Travel | Continuous |
| Detents (per Revolution) | 0, 12, 24 |
| Rotational Torque of Detent, Maximum | 1.4 oz-in |
| Switch Operating Force | 550 gf |
| Switch Travel | 0.5mm |

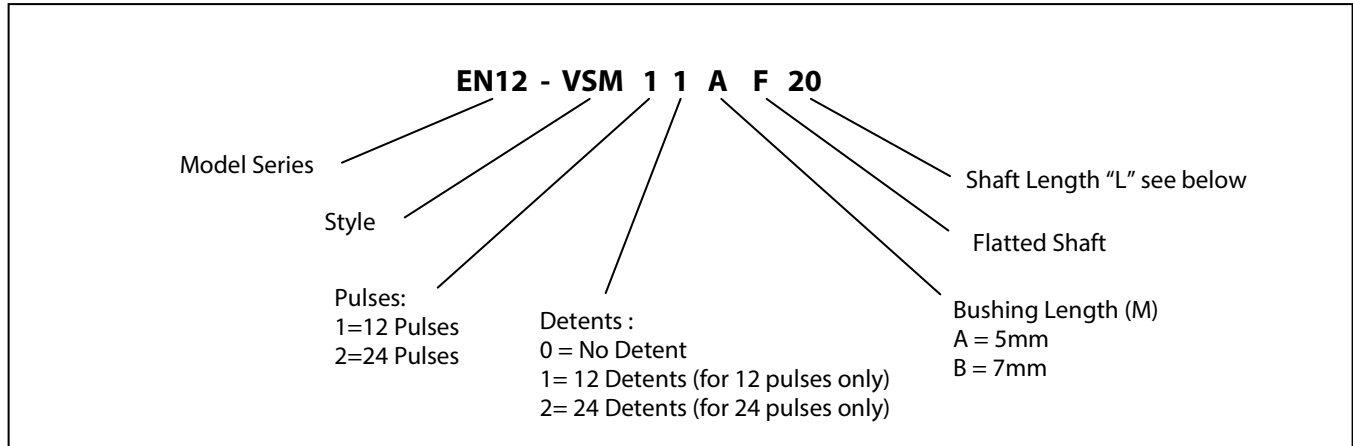
Specifications subject to change without notice.

MODEL EN12

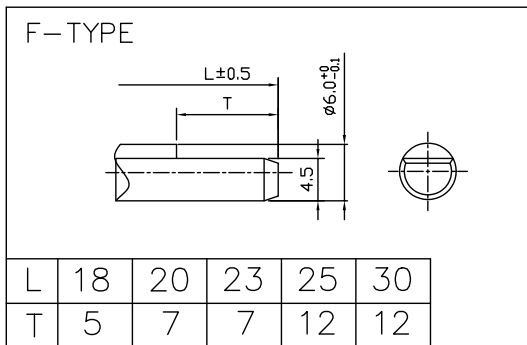
Environmental Specifications

| | |
|-----------------------------|----------------|
| Operating Temperature Range | -30°C to +85°C |
| Rotational Life | 30,000 cycles |

Ordering Information



Shaft Length Options



18 Length = 17.5mm
23 Length = 22.5mm

Circuit Diagram

