

MODEL 5611, 5613
2" Diameter
Single Turn, Wirewound
Precision Potentiometer



For more information about this product, visit our website at: www.potentiometers.com

Model Styles

5611	1/4" Shaft, 3/8" Bushing
5613	1/4" Shaft, Servo

Electrical Specifications

Resistance Range, Ohms	15 to 80K
Standard Resistance Tolerance	±5%
Minimum Practical Resistance Tolerance	±1.0%
Independent Linearity	±1.0%, <50 Ohms ±0.5%, ≥50 Ohms
Minimum Practical Independent Linearity	±1.0%, <50 Ohms ±0.5%, 50-499 Ohms ±0.25%, 500-4,999 Ohms ±0.1%, ≥5K Ohms
Power Rating, Watts	3.5 at 70°C derating to 0 at 125°C
Dielectric Strength	1,000V rms
Insulation Resistance, Minimum	1,000 Megohms
Noise, Maximum	100 Ohms
Actual Electrical Travel	356° + 1°
Tap Tolerance	±1°
End Voltage, Maximum	Linearity x Input Voltage

Environmental (MIL-R-12934)

Operating Temperature Range	Static: -65°C to +125°C Dynamic: -40°C to +125°C
Temperature Cycling	5 cycles, -65°C to +125°C (10% ΔR)
Shock, 6ms Sawtooth	50G's (0.1ms discontinuity max.)
Vibration	15G's, 10 to 2,000 Hz (5% ΔR, 0.1ms discontinuity max.)
Moisture Resistance	Ten 24 hour cycles (3% ΔR)
High Temperature Exposure	1,000 hours at 125°C (5% ΔR)
Rotational Life	1 Mil. Shaft Revolutions
Rotational Load Life	1 million shaft revolutions at rated wattage at 70°C (5% ΔR)

Specifications subject to change without notice..

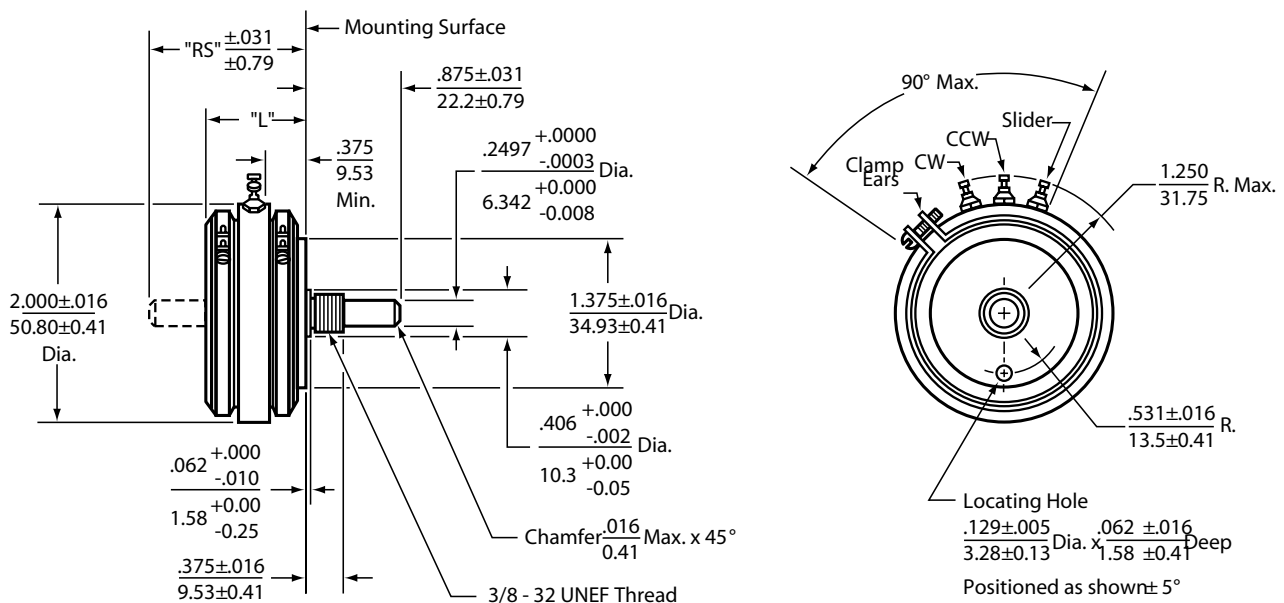
MODEL 5611, 5613

Mechanical Specifications

Total Mechanical Travel	360° Continuous	
Number of Gangs, Maximum	4	
Weight, Nominal	3.7 oz. Single Gang 1.3 oz. Each Added Gang	
Backlash, Maximum	1°	
Shaft End Play, Maximum	.005"	
	5611	5613
Shaft Runout, T.I.R., Maximum	.0005"	.001"
Pilot Diameter Runout, T.I.R., Maximum	.002"	.0015"
Lateral Runout, T.I.R., Maximum	.004"	.006"
Shaft Radial Play, Maximum	.004"	.002"
Starting Torque, Maximum (per gang)	1.5 oz.-in.	0.8 oz.-in.
Running Torque, Maximum (per gang)	1.1 oz.-in.	0.6 oz.-in.

Outline Dimensions (Inch/mm)

Model 5611
Bushing Mount with Sleeve Bearing

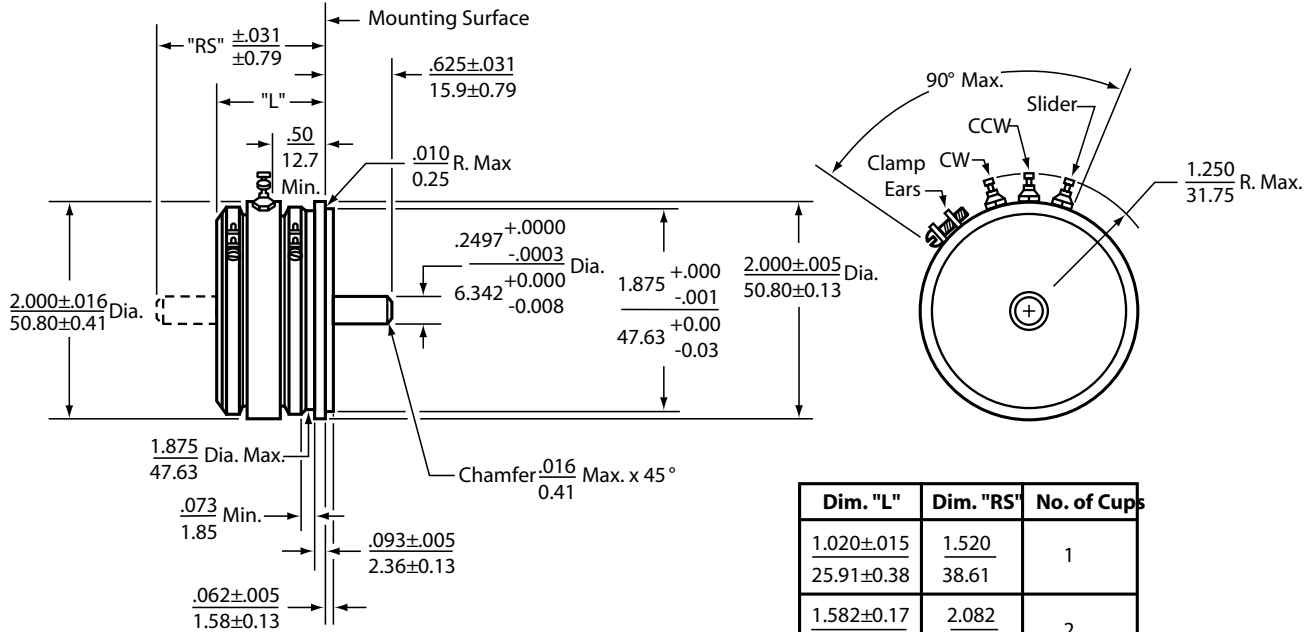


Dim. "L"	Dim. "RS"	No. of Cups
.905±0.020	1.405	1
22.9±0.51	35.69	1
1.467±0.22	1.967	2
37.26±0.56	49.96	2
2.029±0.24	2.529	3
51.54±0.61	64.24	3
2.591±0.26	3.091	4
65.81±0.66	78.51	4

MODEL 5610 SERIES

Outline Dimensions (Inch/mm)

Model 5613
Servo Mount with Ball Bearing



Metric Conversions

1 in.	25.4 mm	1 oz.-in.	0,007 N-m
1 oz.	28.4 gm	lb.-in.	0,113 N-m

MODEL 5610 SERIES

Standard Resistance Values, Ohms

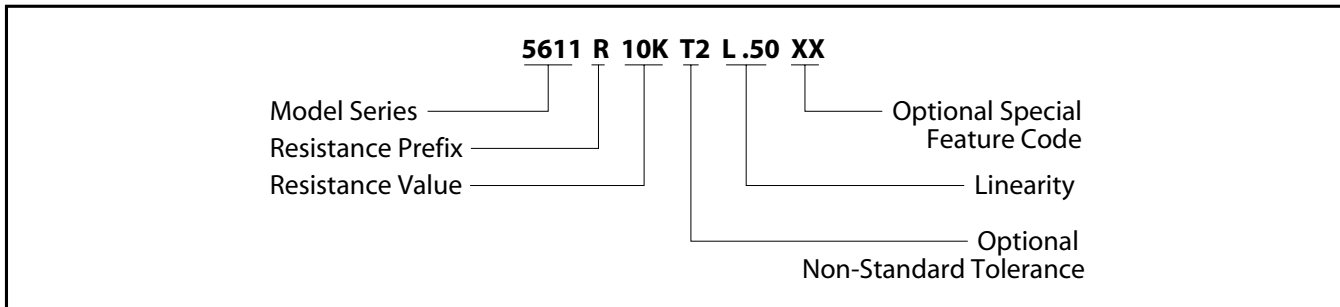
Total Resistance	Theoretical Resolution (% Nominal)	Tempco of Wire
1K	0.089	*±130 ppm/°C
2K	0.071	*±130 ppm/°C
5K	0.058	±20 ppm/°C
10K	0.053	±20 ppm/°C
20K	0.043	±20 ppm/°C
30K	0.040	± 20 ppm/°C
50K	0.040	± 20 ppm/°C

* Lower tempco available as a non-standard model (consult factory).

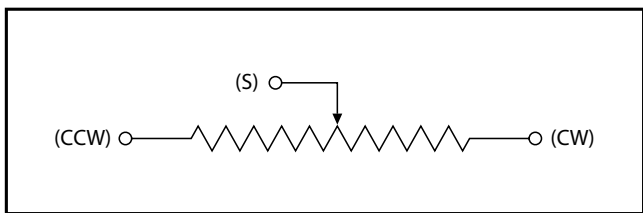
Special Features

Center Tap	CT
Linearity Tape	LT
Rear Shaft Extension	RS
Flatted Shaft	FS
Slotted Shaft	SS
Shaft Lock (5611 only)	SL
Additional Gangs	2G or 3G or 4G

Ordering Information



Circuit Diagram



Notes

Metric equivalents, based on 1 inch = 25.4mm are rounded to the same number of significant figures as in the original English units and are provided for general information only.

Tolerances unless otherwise specified:
 Linear = ± .01 inches (.25mm)
 Angular = ± 2 degrees

For more information about this product,
 visit our website at:
www.potentiometers.com

