

# Model 2696 Analog Turn-Counting Dial 7/8" Diameter, 1/4" Shaft



For more information about this product, visit our website at:  
[www.potentiometers.com](http://www.potentiometers.com)



*Series 2696 Precision Concentric  
7/8" Diameter Analog Turn-Counting Dial for 1/4" shaft*

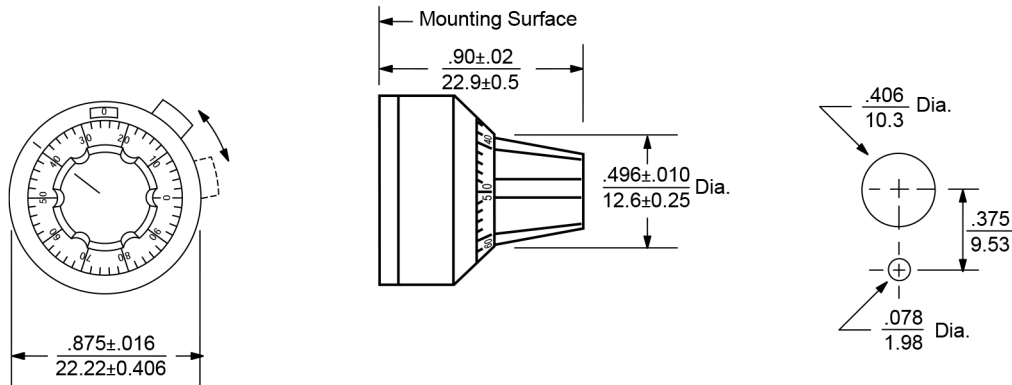
## Features

- Counts up to 10 turns
- One Piece Mounting, 7/8" Diameter
- Aluminum Housing
- Housing Finish: Satin Chrome
- Knob Material: Black Plastic
- Dial Finish: White Numerals on Black Matte
- Positive Action Over Center Locking Mechanism

## Mechanical Specifications

Diameter: 7/8 inch  
Shaft Diameter: 1/4"  
Bushing Diameter: 3/8"  
Maximum Depth from face of panel: 0.900"  
Shaft Extension from Panel: 0.620" to 0.781"  
Bushing Extension from Panel: 0.300"  
Maximum Panel Thickness - 1/4"  
Weight: 16 grams  
Number of set screws: 1  
Operating Temp Range: -55°C to +71°C

# Model 2696 Analog Turn-Counting Dial 7/8" Diameter, 1/4" Shaft



## Ordering Information

Example Part Number: **2696**

**2696**

**Model**

**2696** - 10 Turns, 1/4" Dia. Shaft, 3/8" Dia. Bushing; 1 setscrew

For more information about this product, visit our website at: [www.potentiometers.com](http://www.potentiometers.com)

**STATE  
ELECTRONICS**

© State Electronics

36 State Route 10, STE 6 • East Hanover, NJ 07936-0436  
973-887-2550 • Toll Free 1-800-631-8083 • Fax 973-887-1940

<http://www.potentiometers.com>