

*ROHS COMPLIANT



BOURNS®

Features

- Diecast housing (bushing) and shaft
- Additional models and versions available; special data sheets can be requested
- Carbon resistive element

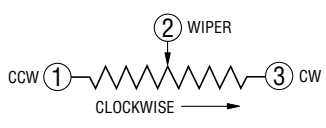
0502 - Rotary Potentiometer

Characteristics

Mechanical Angle.....270 ° ±5 °
 Starting Torque.....0.5 to 1.5 Ncm
 End Stop Strength.....60 Ncm max.
 Shaft Push-Pull Force.....100 N max.
 Resistance Range
100 ohms to 4.7 megohms
 Resistance Taper.....Linear
 Power Rating0.2 W
 Temperature Range.....-25 °C to +70 °C
 Rotational Life.....10,000 cycles

Standard Resistance Table

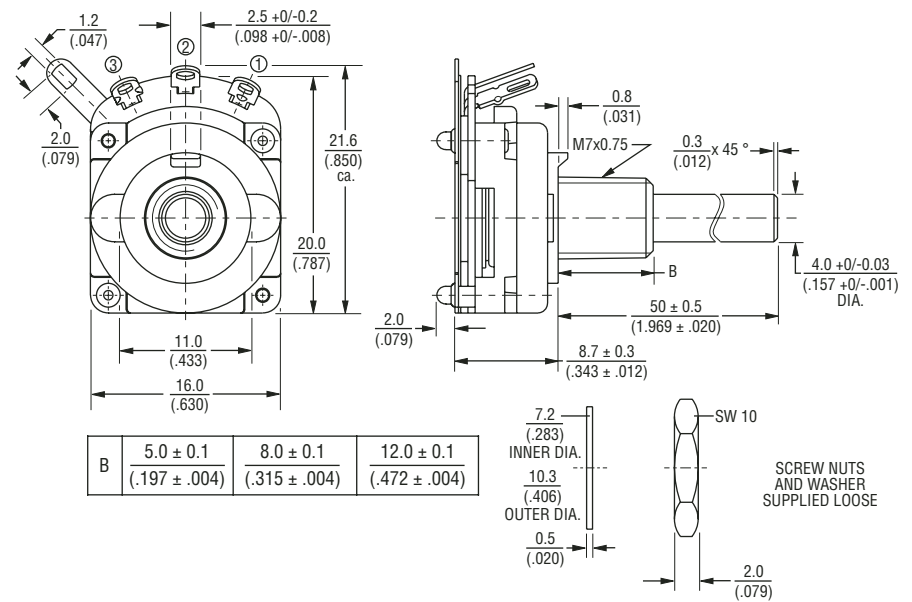
Resistance (Ohms)	Resistance Code
100	101
220	221
470	471
500	501
1,000	102
2,200	222
4,700	472
5,000	502
10,000	103
22,000	223
47,000	473
50,000	503
100,000	104
220,000	224
470,000	474
500,000	504
1,000,000	105



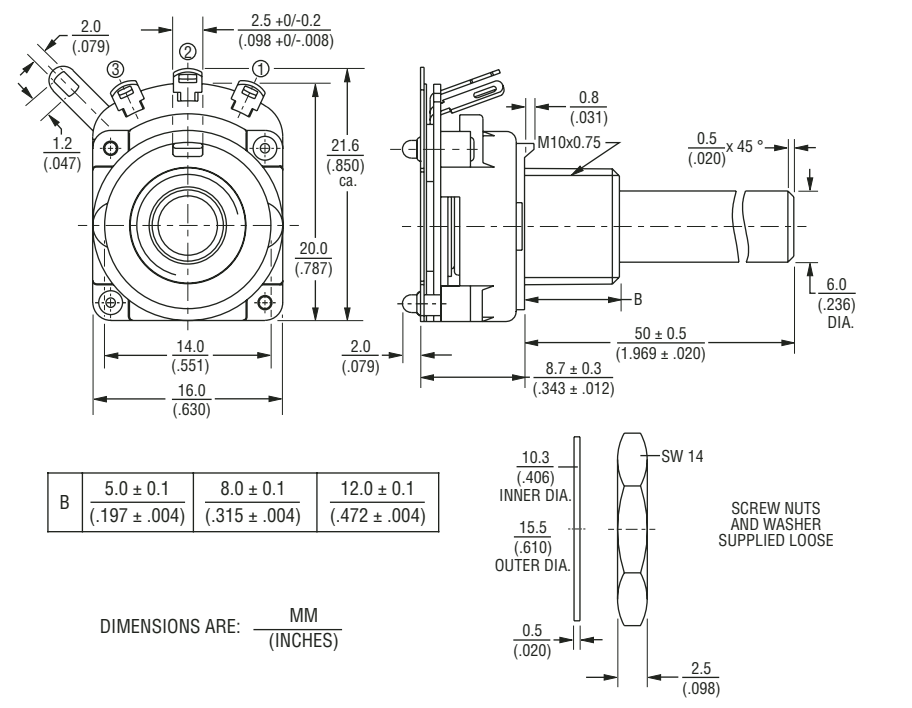
*RoHS Directive 2002/95/EC Jan 27 2003 including Annex

Product Dimensions

0502-000



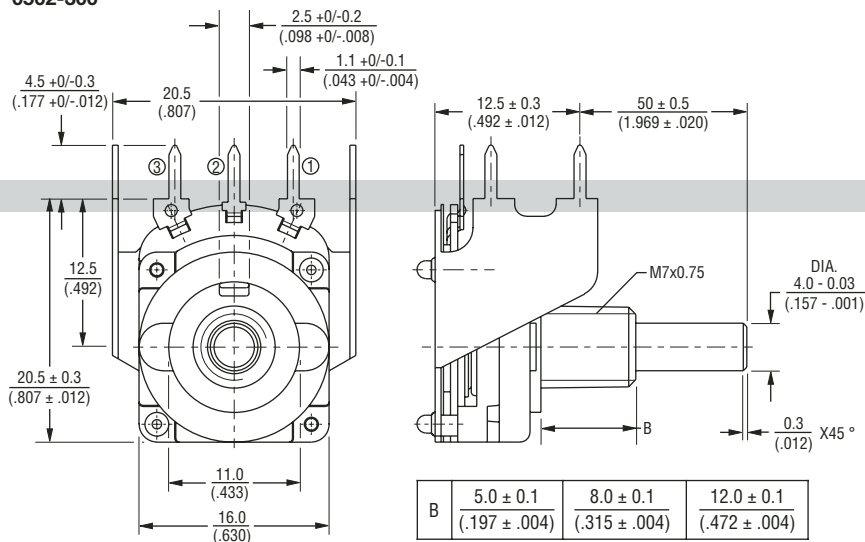
0502-050



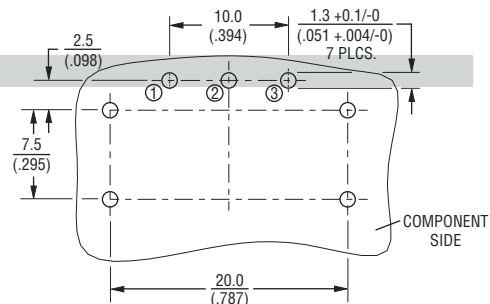
DIMENSIONS ARE: $\frac{\text{MM}}{\text{(INCHES)}}$

Product Dimensions

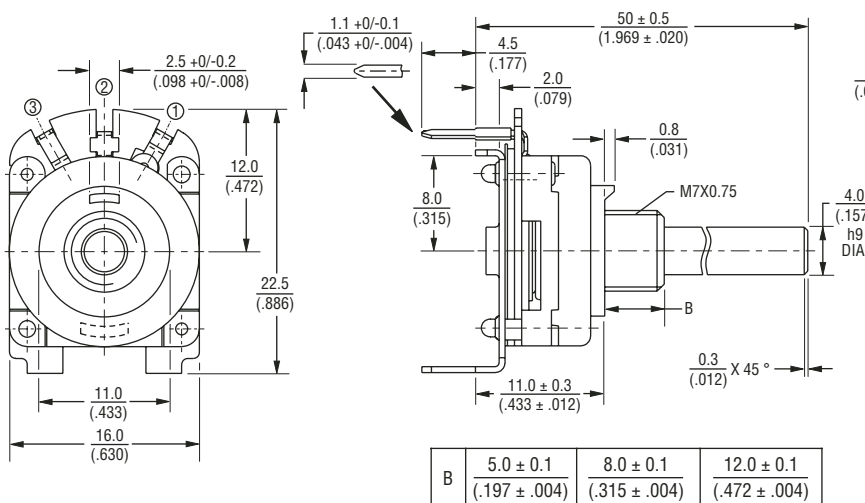
0502-300



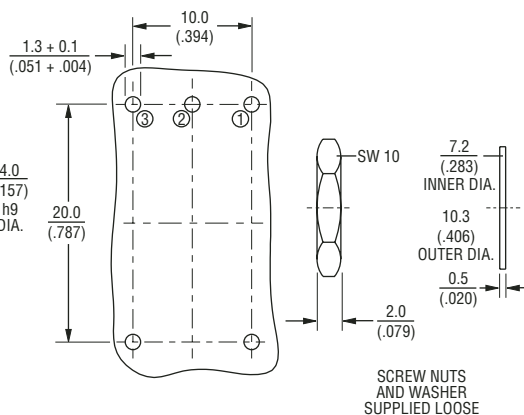
Recommended PCB Layout



0502-600



Recommended PCB Layout

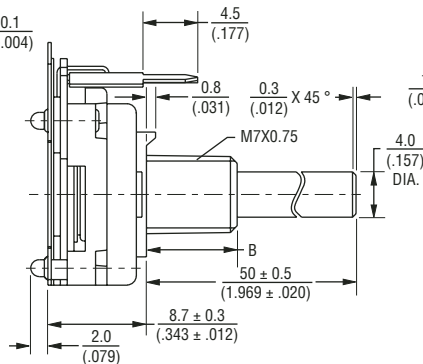
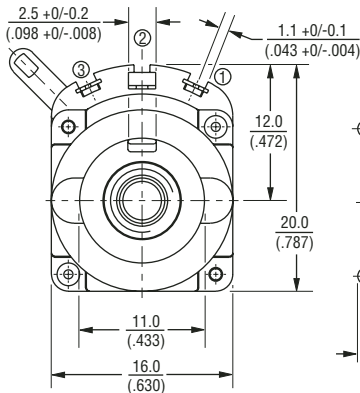


DIMENSIONS ARE: $\frac{\text{MM}}{\text{(INCHES)}}$

Specifications are subject to change without notice.
Customers should verify actual device performance in their specific applications.

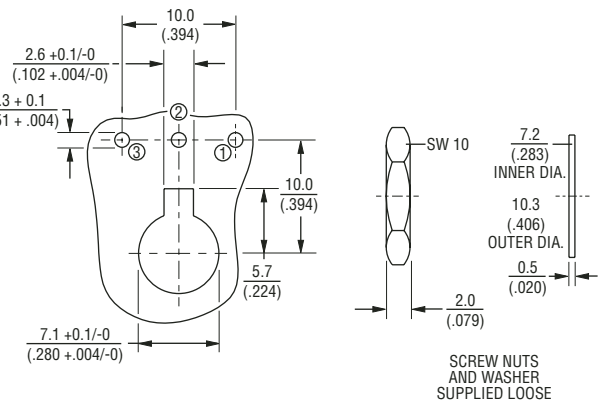
Product Dimensions

0502-900



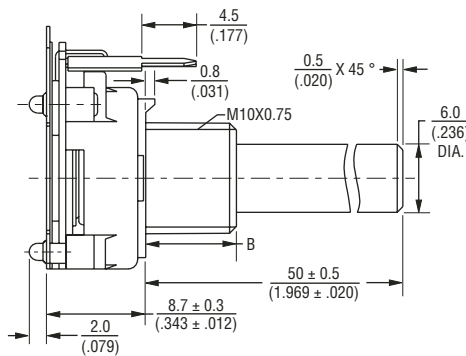
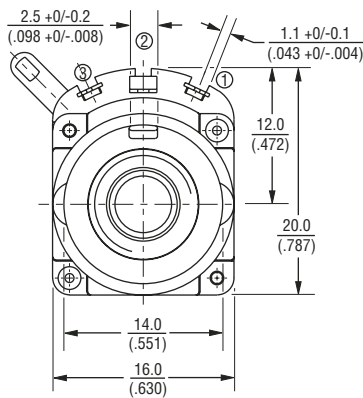
B	5.0 ± 0.1 (.197 ± .004)	8.0 ± 0.1 (.315 ± .004)	12.0 ± 0.1 (.472 ± .004)
---	----------------------------	----------------------------	-----------------------------

Recommended PCB Layout



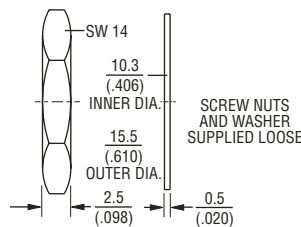
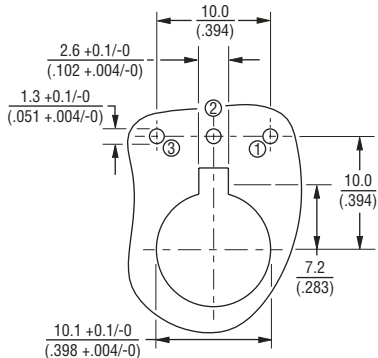
SCREW NUTS AND WASHER SUPPLIED LOOSE

0502-950



B	5.0 ± 0.1 (.197 ± .004)	8.0 ± 0.1 (.315 ± .004)	12.0 ± 0.1 (.472 ± .004)
---	----------------------------	----------------------------	-----------------------------

Recommended PCB Layout



SCREW NUTS AND WASHER SUPPLIED LOOSE

How to Order

0502 - 000 U 185 - A B 103

Model Type 0502

Terminal Style Only Available w/ Bushing Code:

- 000 G,H,U
- 050 K,M,N
- 300 G,H,U
- 600 G,H,U
- 900 G,H,U
- 950 K,M,N

Bushing & Shaft Type

- U = 7 mmD x 8 mmL, Shaft 4 mmD
- H = 7 mmD x 5 mmL, Shaft 4 mmD
- G = 7 mmD x 12 mmL, Shaft 4 mmD
- K = 10 mmD x 8 mmL, Shaft 6 mmD
- M = 10 mmD x 5 mmL, Shaft 6 mmD
- N = 10 mmD x 12 mmL, Shaft 6 mmD

Shaft Length

- 500 = 50 mm
- Other lengths avail. upon request.

Independent Linearity

- A = ±5 %
- B = ±4 %
- C = ±3 %
- D = ±2.5 %
- E = ±2 %

Element Taper

- B = Linear Carbon ±20 %
- E = Linear Carbon ±10 %
- L = Linear Carbon ±5 %

Resistance Code

Other versions available upon request.

DIMENSIONS ARE: $\frac{\text{MM}}{\text{(INCHES)}}$

11/07

Specifications are subject to change without notice. Customers should verify actual device performance in their specific applications.

For more information about this product, visit our website at:

www.potentiometers.com