

\*ROHS COMPLIANT

**BOURNS®**

## Features

- Plastic housing
- Plug-in shaft available as accessory
- Additional models and versions available; special data sheets can be requested
- Carbon resistive element

# 0473 - Shaftless Rotary Potentiometer

## Characteristics

Mechanical Angle.....270 ° ±10 °  
 Starting Torque.....0.5 to 2 Ncm  
 End Stop Strength.....25 Ncm max.  
 Resistance Range  
 .....100 ohms to 4.7 megohms  
 Resistance Taper.....Linear  
 Power Rating.....0.2 W  
 Temperature Range.....-25 °C to +70 °C  
 Rotational Life.....10,000 cycles

## Standard Resistance Table

Resistance (Ohms)	Resistance Code
100	101
220	221
470	471
1,000	102
2,200	222
4,700	472
10,000	103
22,000	223
47,000	473
100,000	104
220,000	224
470,000	474
1,000,000	105
2,200,000	225
4,700,000	475

## How to Order

**0473 - 600 - A B 103**

Model Type \_\_\_\_\_  
 • 0473

Terminal Style \_\_\_\_\_  
 • 300  
 • 600  
 (Other styles available upon request)

Independent Linearity \_\_\_\_\_  
 A = ±5 %  
 B = ±4 %  
 C = ±3 %  
 D = ±2.5 %  
 E = ±2 %

Element Taper \_\_\_\_\_  
 B = Linear Carbon ±20 %  
 E = Linear Carbon ±10 %  
 M = Linear Carbon ±30 %  
 L = Linear Carbon ±5 %

Resistance Code \_\_\_\_\_

Other versions available upon request.

11/07

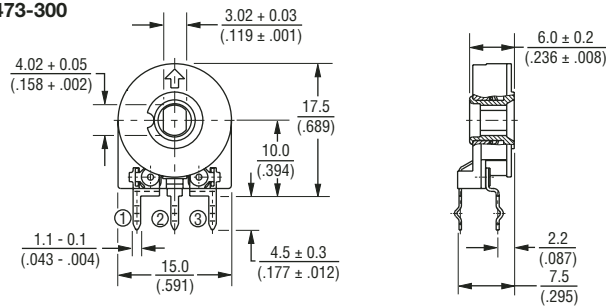
\*RoHS Directive 2002/95/EC Jan 27 2003 including Annex  
 Specifications are subject to change without notice.  
 Customers should verify actual device performance in their specific applications.

For more information about this product, visit our website at:

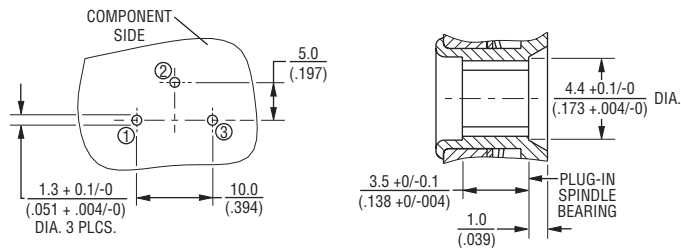
[www.potentiometers.com](http://www.potentiometers.com)

## Product Dimensions

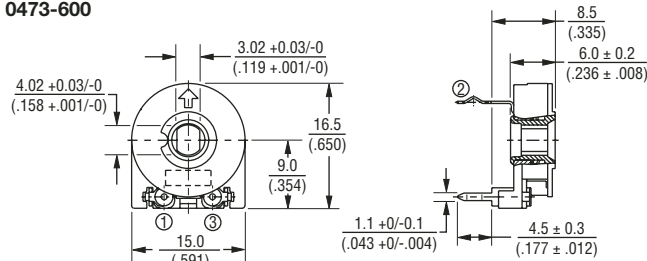
### 0473-300



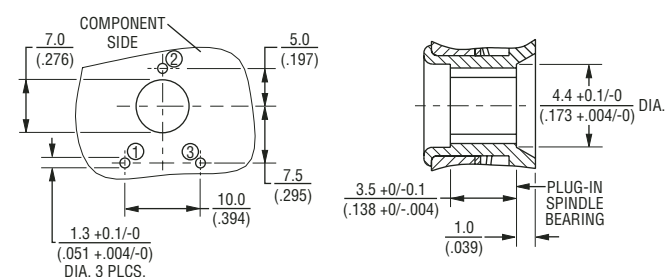
### Recommended PCB Layout



### 0473-600



### Recommended PCB Layout



DIMENSIONS ARE:  $\frac{\text{MM}}{\text{(INCHES)}}$

